

TRIMO TRIMOTERM



TRIMO

TRIMO D.O.O.
PRIJATELJEVA CESTA 12
8210 TREBNJE | SLOVENIJA
T: +386 (0)7 34 60 200
F: +386 (0)7 34 60 127
E: TRIMO@TRIMO-GROUP.COM
W: WWW.TRIMO-GROUP.COM

Trimo Group holds full copyrights on the information and details provided on this media, therefore any unauthorized reproduction and distribution is strictly prohibited. Professional care has been taken to ensure that information/details are accurate, correct, complete and not misleading. However, Trimo (including its subsidiaries) does not accept responsibility or liability for errors or information which is found to be misleading. Information/details on this media are for general purposes only. Use of it is on your own initiative and responsibility for compliance with local laws is yours. Any deviations in details and project solutions are user responsibility. In no event, will Trimo be liable for any loss or damage including without limitation, indirect or consequential loss or damage, or any loss or damage whatsoever arising from loss profits arising out of or in connection with, the use of this media. All information issued by Trimo Group is subject to continuous development and information/details contained on this media are current at date of issue. It is user's responsibility to obtain most up-to-date information from Trimo when information/details are used for project.

The last version of the document is available on www.trimo-group.com. Latest version of published document in English language prevails over other translated language documents.

For information about the delivery of panels see Trimo's General conditions. <https://trimo-group.com/en/trimo/general-conditions-of-sales>

ARCHITECTURAL DETAILS INSULATED FACADE SYSTEM TRIMOTERM FTV

HORIZONTAL INSTALLATION



TRIMOTERM FTV

FUNCTION

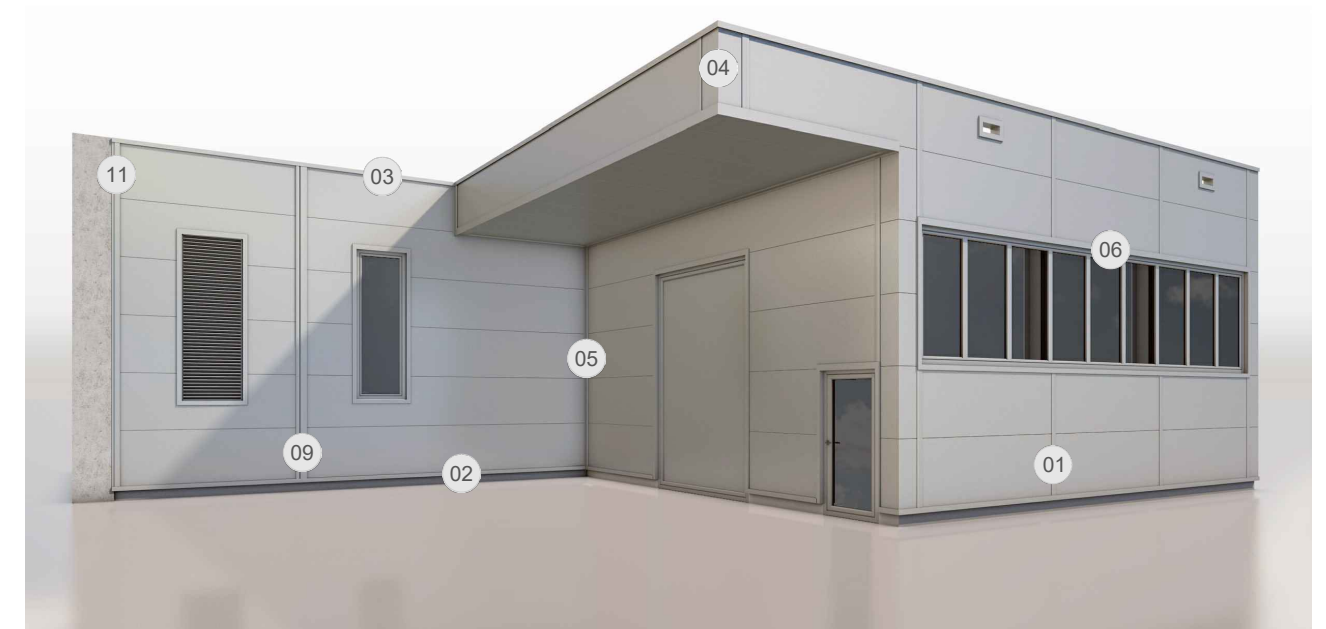
- FIRE - fire-resistant system
- FOOGIENE - food & hygiene system
- BASE - backing-wall system

APPLICATION

- External Facade
- Internal Wall
- Flat Roof
- External Soffit
- Internal Ceiling
- Pitched Roof

-  CAD download centre
-  BIM download centre

- TE-H-01 JOINT
- TE-H-02 BASE
- TE-H-03 PARAPET
- TE-H-04 EXTERNAL CORNER
- TE-H-05 INTERNAL CORNER
- TE-H-06 WINDOW
- TE-H-09 DILATATION
- TE-H-11 OTHER SYSTEM CONNECTION



VERSION: | EN 14.02.2024 | TID10DT101EN

SCHEME

Trimo Group holds full copyrights on the information and details provided on this media, therefore any unauthorized reproduction and distribution is strictly prohibited.



HORIZONTAL INSTALLATION

FUNCTION

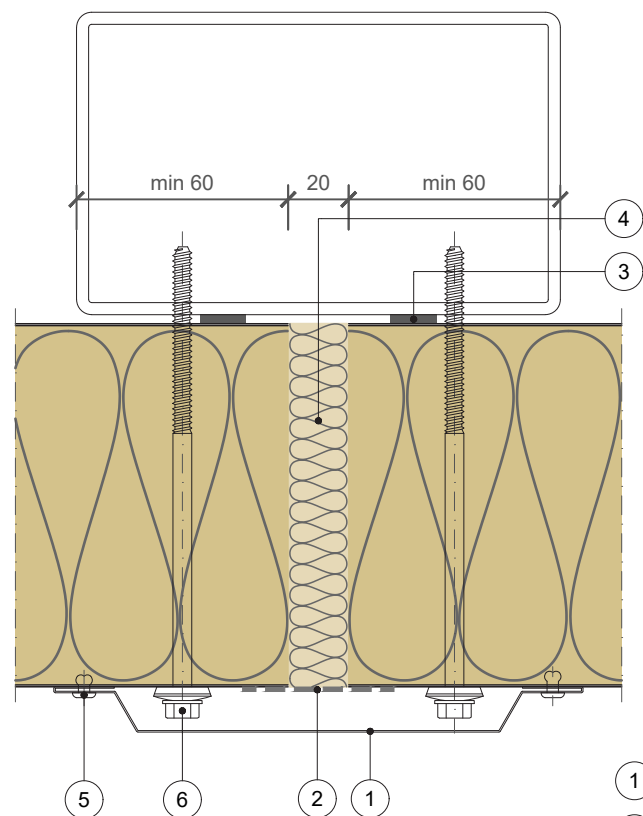
- FIRE - fire-resistant system
- FOOGIENE - food & hygiene system
- BASE - backing-wall system

APPLICATION

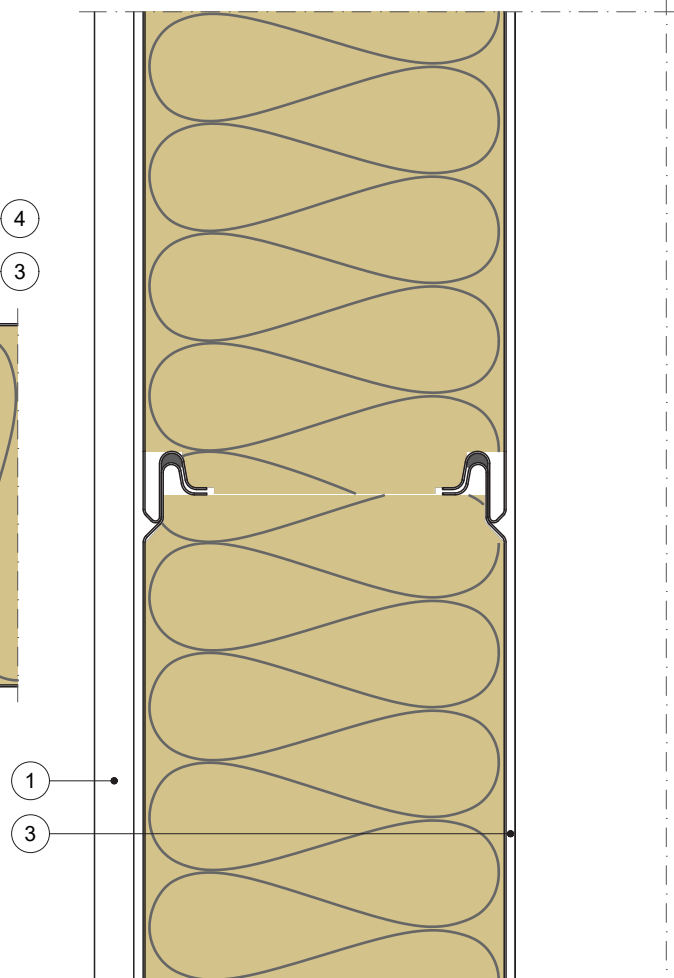
- External Facade + External Soffit
- Internal Wall + Internal Ceiling
- Flat Roof Pitched Roof

TRIMOTERM FTV

HORIZONTAL CUT



VERTICAL CUT



POS.	ELEMENTS	SCALE: M 1:2.5
1	Joint flashing	
2	Butyl tape on the aluminium foil	
3	Self adhesive sealing tape PE	
4	Thermal insulation	
5	Blind rivet	
6	Fixing screw	

JOINT

Trimo Group holds full copyrights on the information and details provided on this media, therefore any unauthorized reproduction and distribution is strictly prohibited.



HORIZONTAL INSTALLATION

FUNCTION

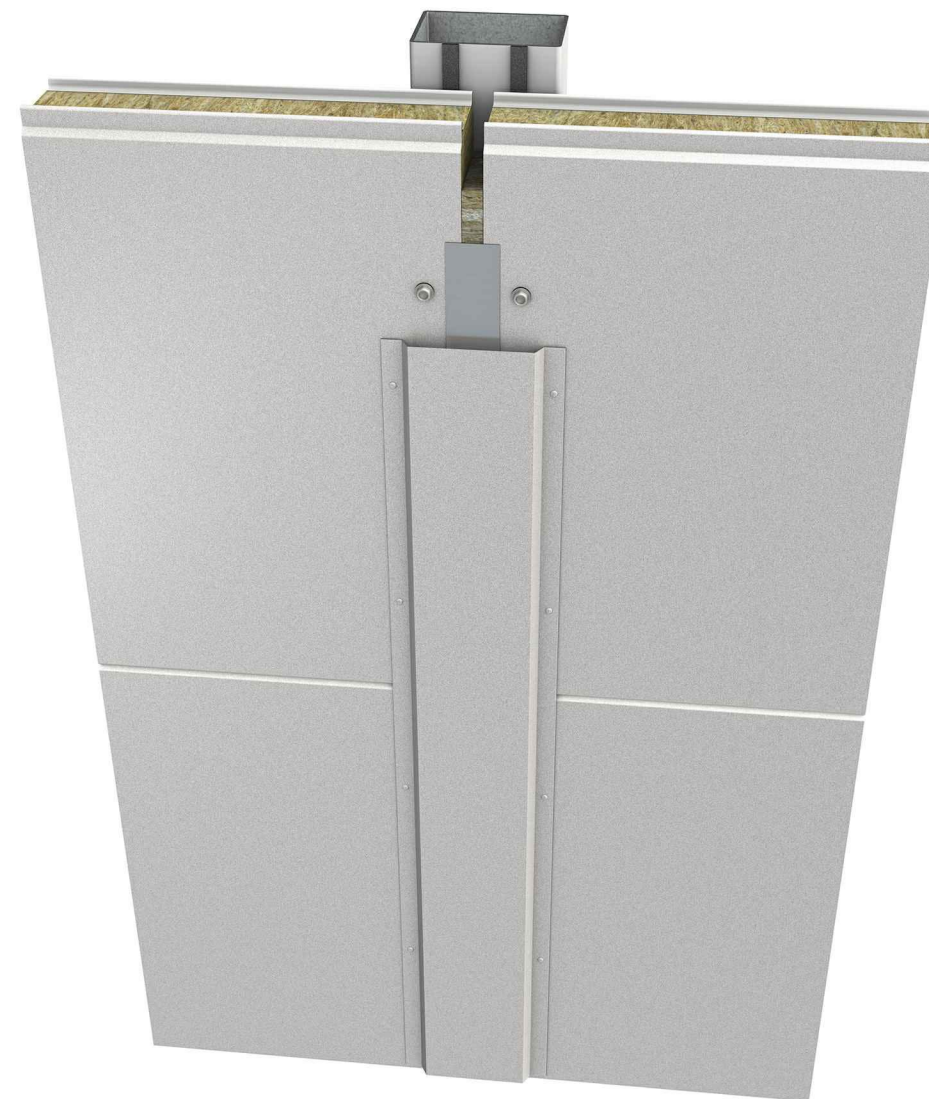
- FIRE - fire-resistant system
- FOOGIENE - food & hygiene system
- BASE - backing-wall system

APPLICATION

- External Facade + External Soffit
- Internal Wall + Internal Ceiling
- Flat Roof Pitched Roof

TRIMOTERM FTV

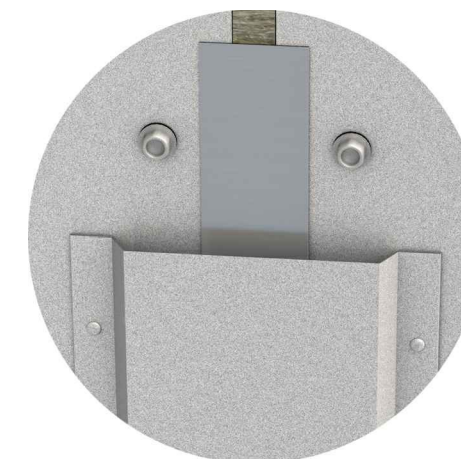
DETAIL VIEW



CLOSE VIEW

ADVANTAGES

- Fire safety
- Span distance
- Fast installation
- Tolerances flexibility
- Prefabrication
- Simplicity
- BIM support



JOINT

Trimo Group holds full copyrights on the information and details provided on this media, therefore any unauthorized reproduction and distribution is strictly prohibited.



HORIZONTAL INSTALLATION

FUNCTION

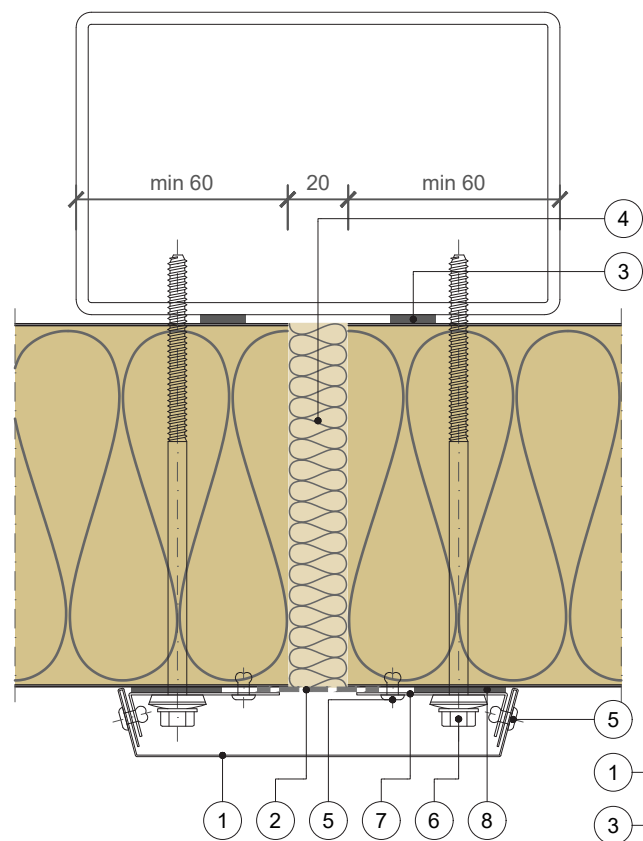
- FIRE - fire-resistant system
- FOOGIENE - food & hygiene system
- BASE - backing-wall system

APPLICATION

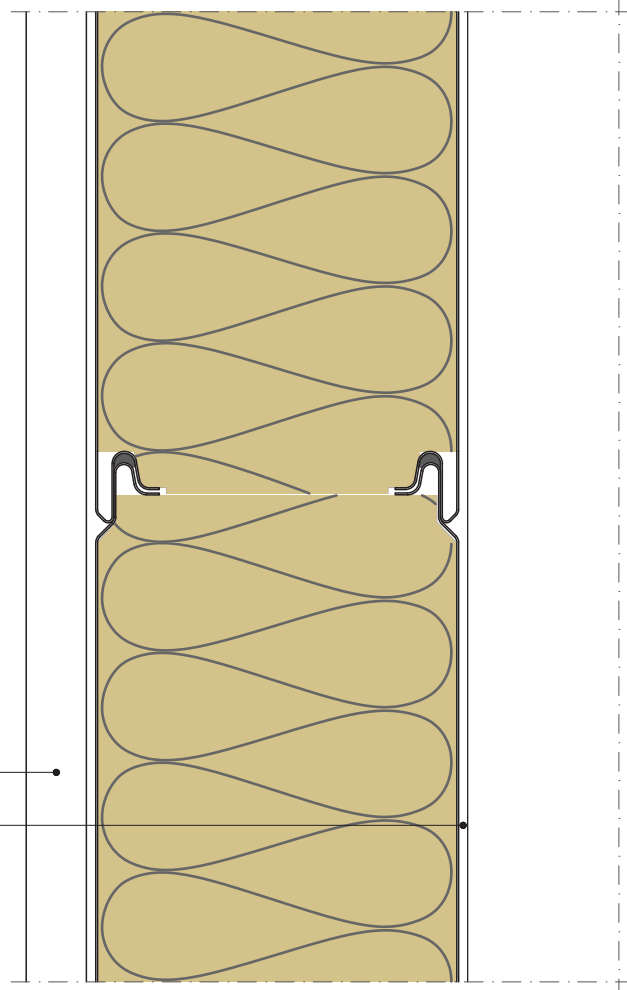
- External Facade
- Internal Wall
- Flat Roof
- External Soffit
- Internal Ceiling
- Pitched Roof

TRIMOTERM FTV

HORIZONTAL CUT



VERTICAL CUT



POS.	ELEMENTS	SCALE: M 1:2.5
1	Joint flashing	
2	Butyl tape on the aluminium foil	
3	Self adhesive sealing tape PE	
4	Thermal insulation	
5	Blind rivet	
6	Fixing screw	
7	Flashing support	
8	Self adhesive sealing tape EPDM	

JOINT

Trimo Group holds full copyrights on the information and details provided on this media, therefore any unauthorized reproduction and distribution is strictly prohibited.



HORIZONTAL INSTALLATION

FUNCTION

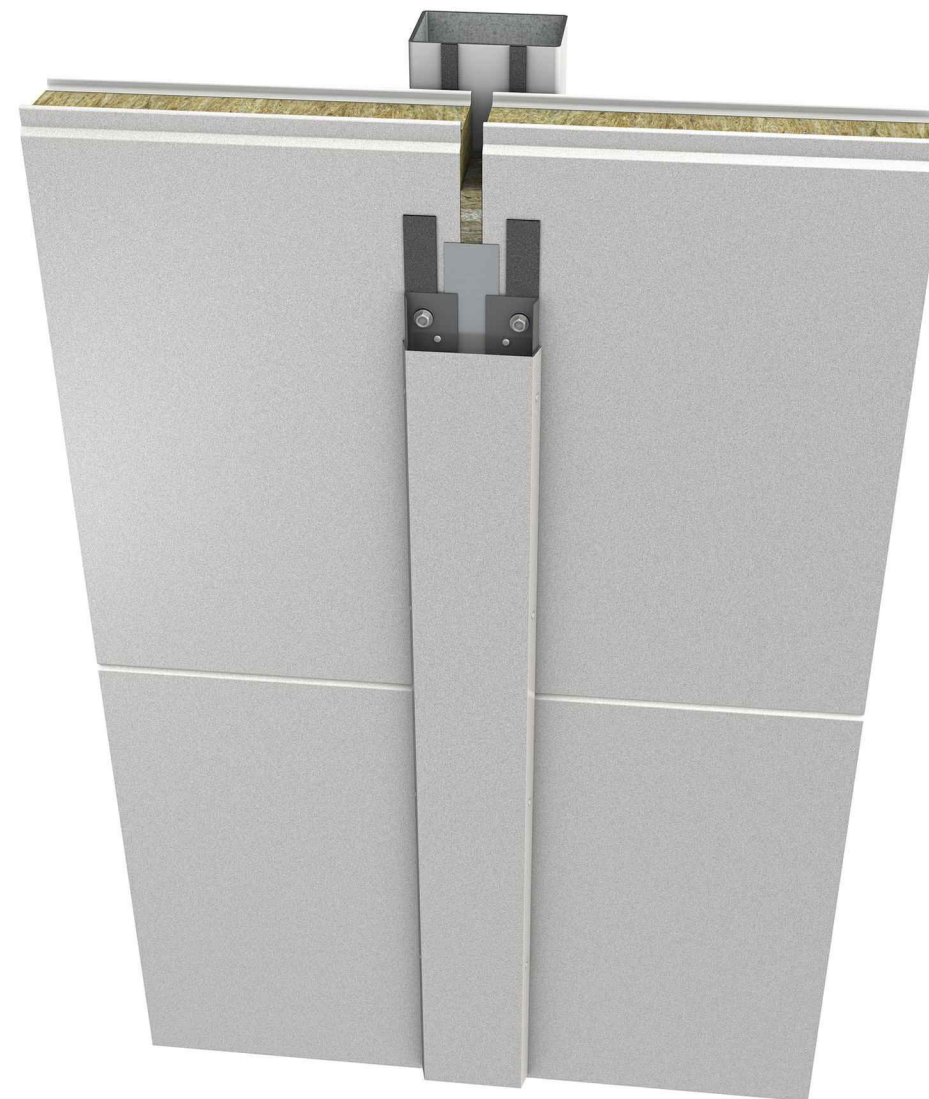
- FIRE - fire-resistant system
- FOOGIENE - food & hygiene system
- BASE - backing-wall system

APPLICATION

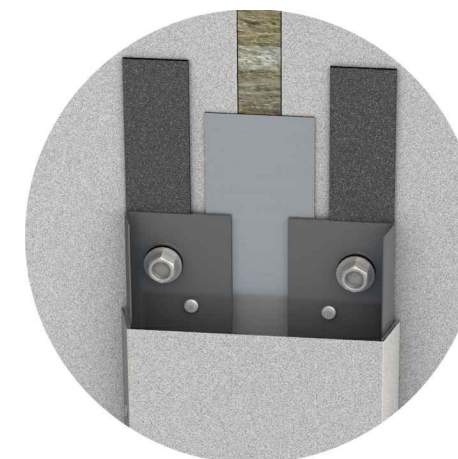
- External Facade
- Internal Wall
- Flat Roof
- External Soffit
- Internal Ceiling
- Pitched Roof

TRIMOTERM FTV

DETAIL VIEW



CLOSE VIEW



ADVANTAGES

- Fire safety
- Span distance
- Tolerances flexibility
- Prefabrication
- Simplicity
- BIM support

JOINT

Trimo Group holds full copyrights on the information and details provided on this media, therefore any unauthorized reproduction and distribution is strictly prohibited.



HORIZONTAL INSTALLATION

TRIMOTERM FTV

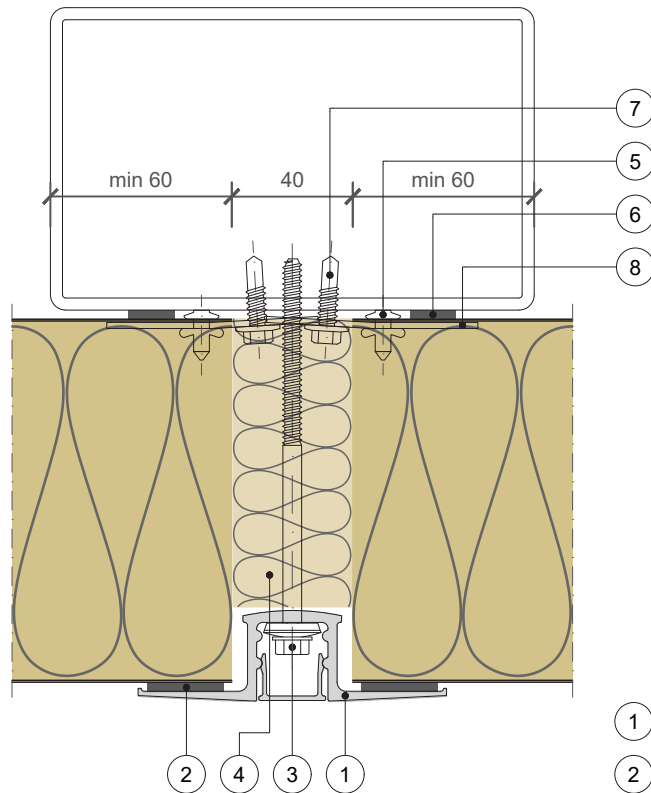
FUNCTION

- FIRE - fire-resistant system
- FOOGIENE - food & hygiene system
- BASE - backing-wall system

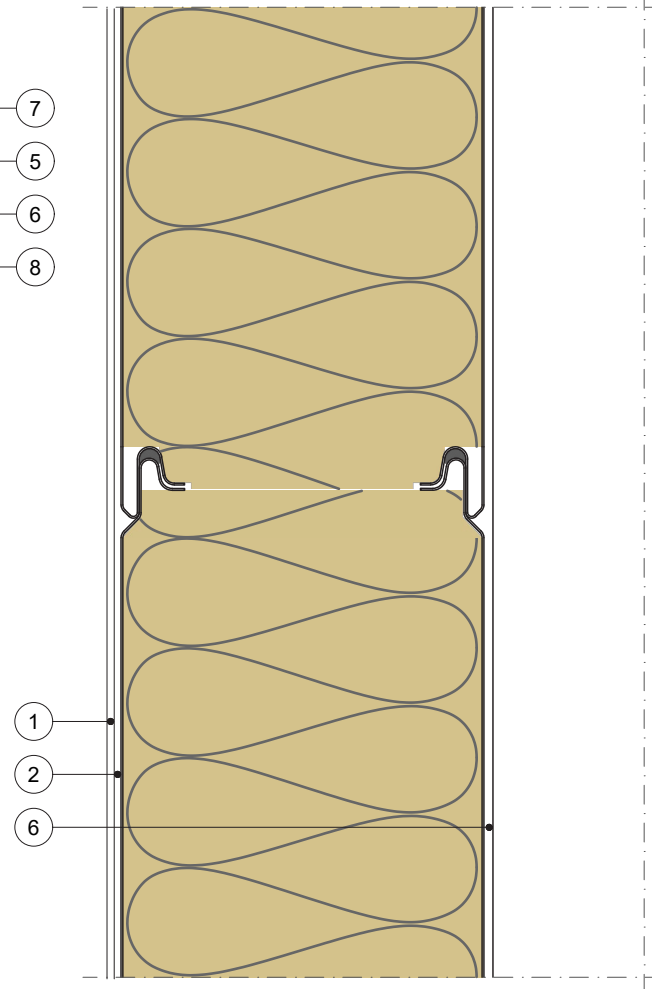
APPLICATION

- External Facade
- Internal Wall
- Flat Roof
- + External Soffit
- + Internal Ceiling
- Pitched Roof

HORIZONTAL CUT



VERTICAL CUT



POS.	ELEMENTS	SCALE: M 1:2.5
1	HF102 aluminium fixing profile	
2	Self adhesive sealing tape EPDM	
3	Fixing screw	
4	Thermal insulation	
5	Bulb tite rivet	
6	Self adhesive sealing tape PE	
7	Fixing screw	
8	Fixing element	

JOINT

Trimo Group holds full copyrights on the information and details provided on this media, therefore any unauthorized reproduction and distribution is strictly prohibited.



HORIZONTAL INSTALLATION

TRIMOTERM FTV

FUNCTION

- FIRE - fire-resistant system
- FOOGIENE - food & hygiene system
- BASE - backing-wall system

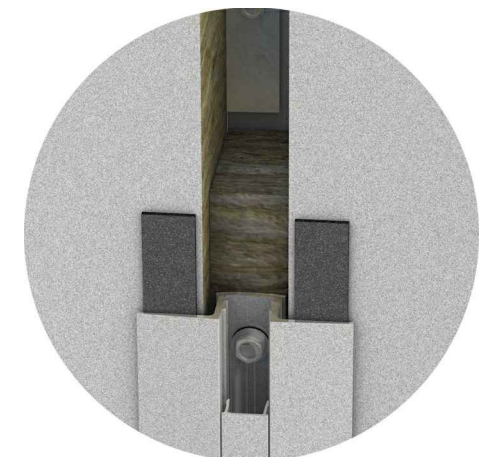
APPLICATION

- External Facade
- Internal Wall
- Flat Roof
- + External Soffit
- + Internal Ceiling
- Pitched Roof

DETAIL VIEW



CLOSE VIEW



ADVANTAGES

- Fast installation
- Prefabrication
- Simplicity
- Flush design
- BIM support

JOINT

Trimo Group holds full copyrights on the information and details provided on this media, therefore any unauthorized reproduction and distribution is strictly prohibited.



HORIZONTAL INSTALLATION

FUNCTION

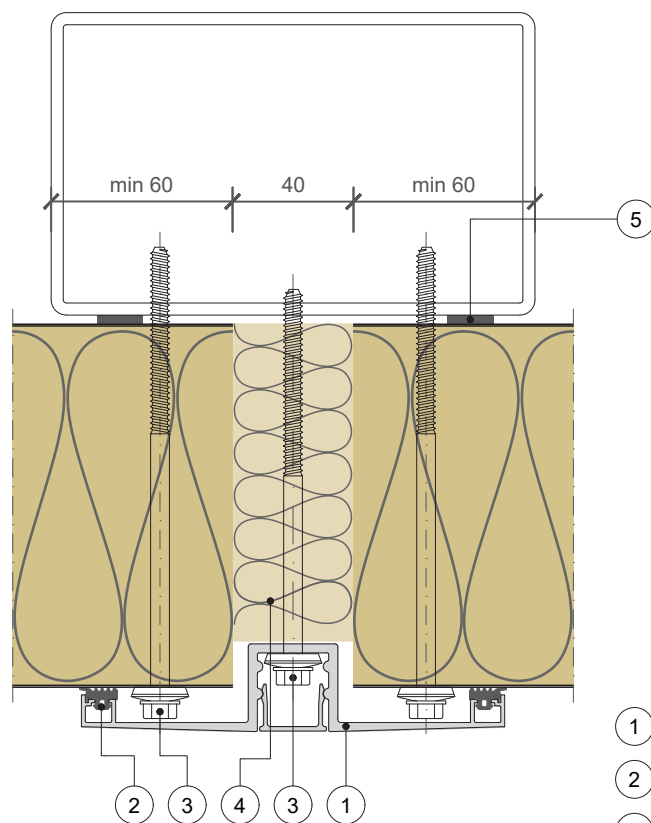
- FIRE - fire-resistant system
- FOOGIENE - food & hygiene system
- BASE - backing-wall system

APPLICATION

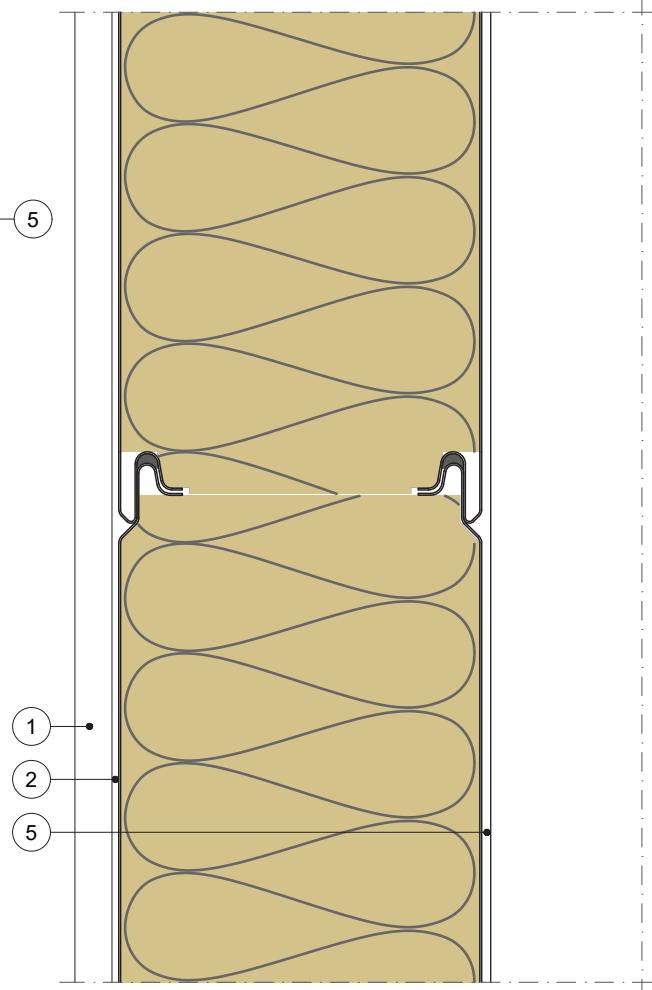
- External Facade
- Internal Wall
- Flat Roof
- External Soffit
- Internal Ceiling
- Pitched Roof

TRIMOTERM FTV

HORIZONTAL CUT



VERTICAL CUT



POS.	ELEMENTS	SCALE: M 1:2.5
1	HF140 aluminium fixing profile	
2	EPDM gasket	
3	Fixing screw	
4	Thermal insulation	
5	Self adhesive sealing tape PE	

JOINT

Trimo Group holds full copyrights on the information and details provided on this media, therefore any unauthorized reproduction and distribution is strictly prohibited.



HORIZONTAL INSTALLATION

FUNCTION

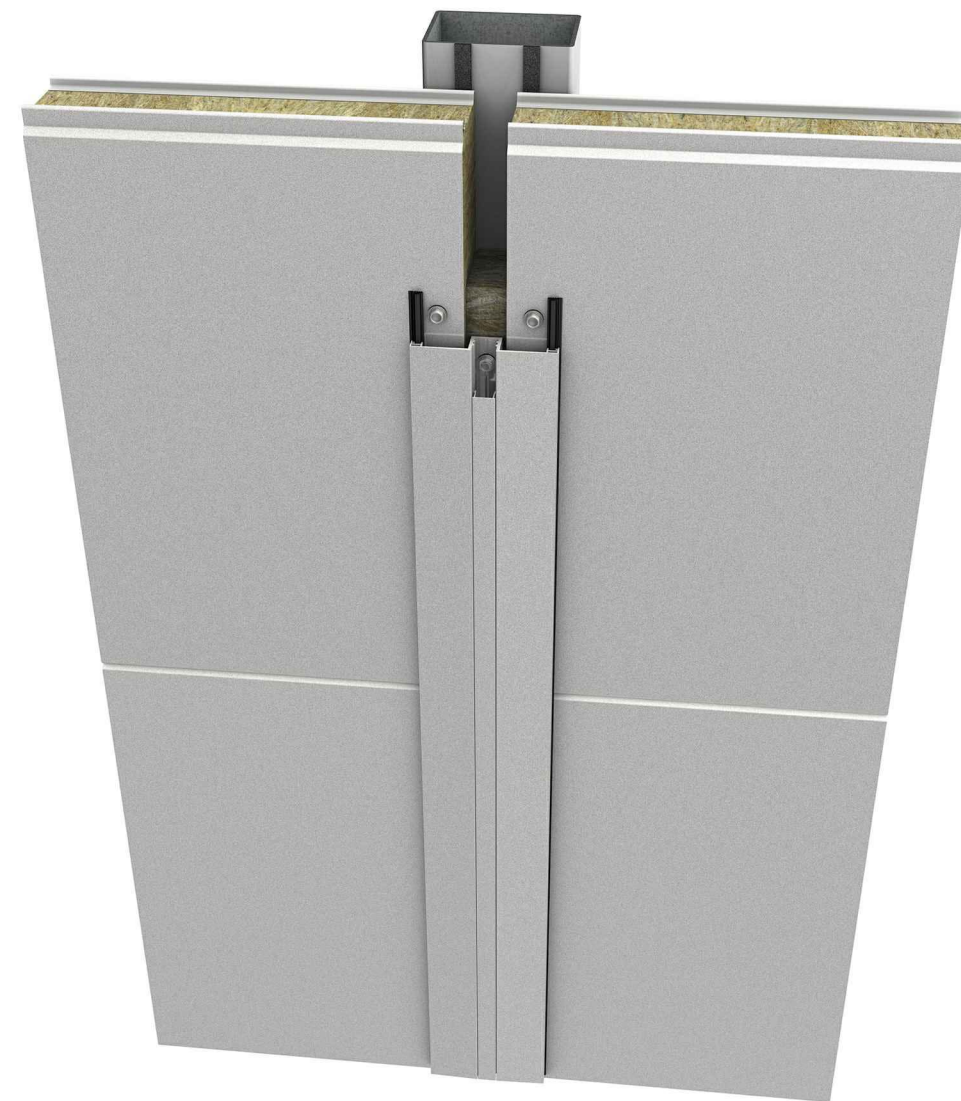
- FIRE - fire-resistant system
- FOOGIENE - food & hygiene system
- BASE - backing-wall system

APPLICATION

- External Facade
- Internal Wall
- Flat Roof
- External Soffit
- Internal Ceiling
- Pitched Roof

TRIMOTERM FTV

DETAIL VIEW



CLOSE VIEW



ADVANTAGES

- Fire safety
- Span distance
- Fast installation
- Prefabrication
- Simplicity
- BIM support

JOINT

Trimo Group holds full copyrights on the information and details provided on this media, therefore any unauthorized reproduction and distribution is strictly prohibited.



HORIZONTAL INSTALLATION

FUNCTION

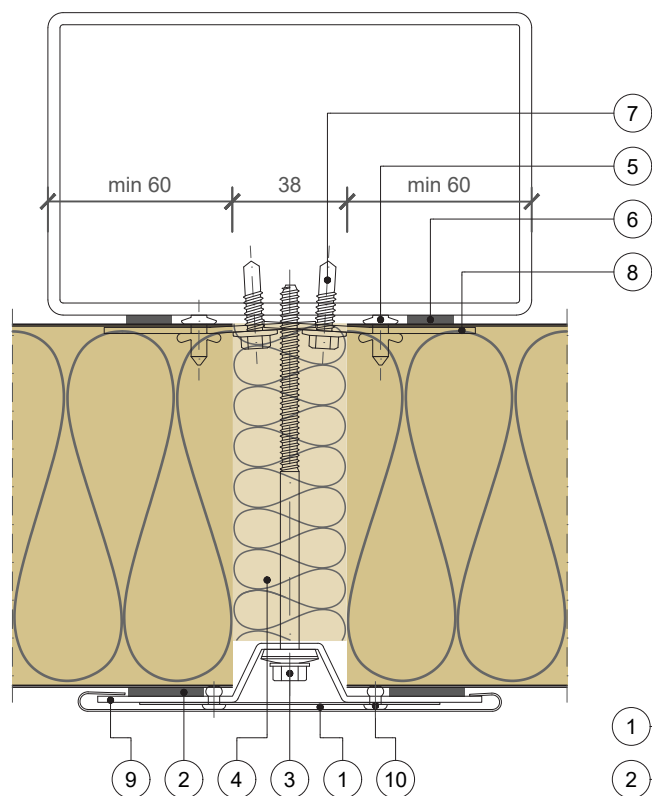
- FIRE - fire-resistant system
- FOOGIENE - food & hygiene system
- BASE - backing-wall system

APPLICATION

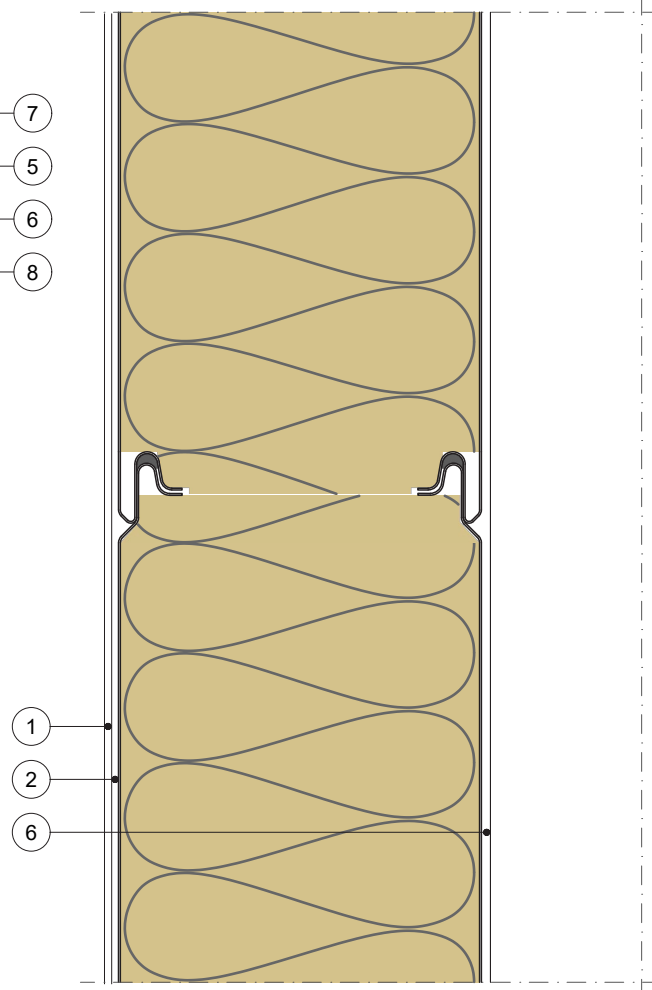
- External Facade + External Soffit
- Internal Wall + Internal Ceiling
- Flat Roof Pitched Roof

TRIMOTERM FTV

HORIZONTAL CUT



VERTICAL CUT



POS.	ELEMENTS	SCALE: M 1:2.5
1	Joint flashing	
2	Self adhesive sealing tape EPDM	
3	Fixing screw	
4	Thermal insulation	
5	Bulb tite rivet	
6	Self adhesive sealing tape PE	
7	Fixing screw	
8	Fixing element	
9	Fixing profile	
10	Blind rivet	

JOINT

Trimo Group holds full copyrights on the information and details provided on this media, therefore any unauthorized reproduction and distribution is strictly prohibited.



HORIZONTAL INSTALLATION

FUNCTION

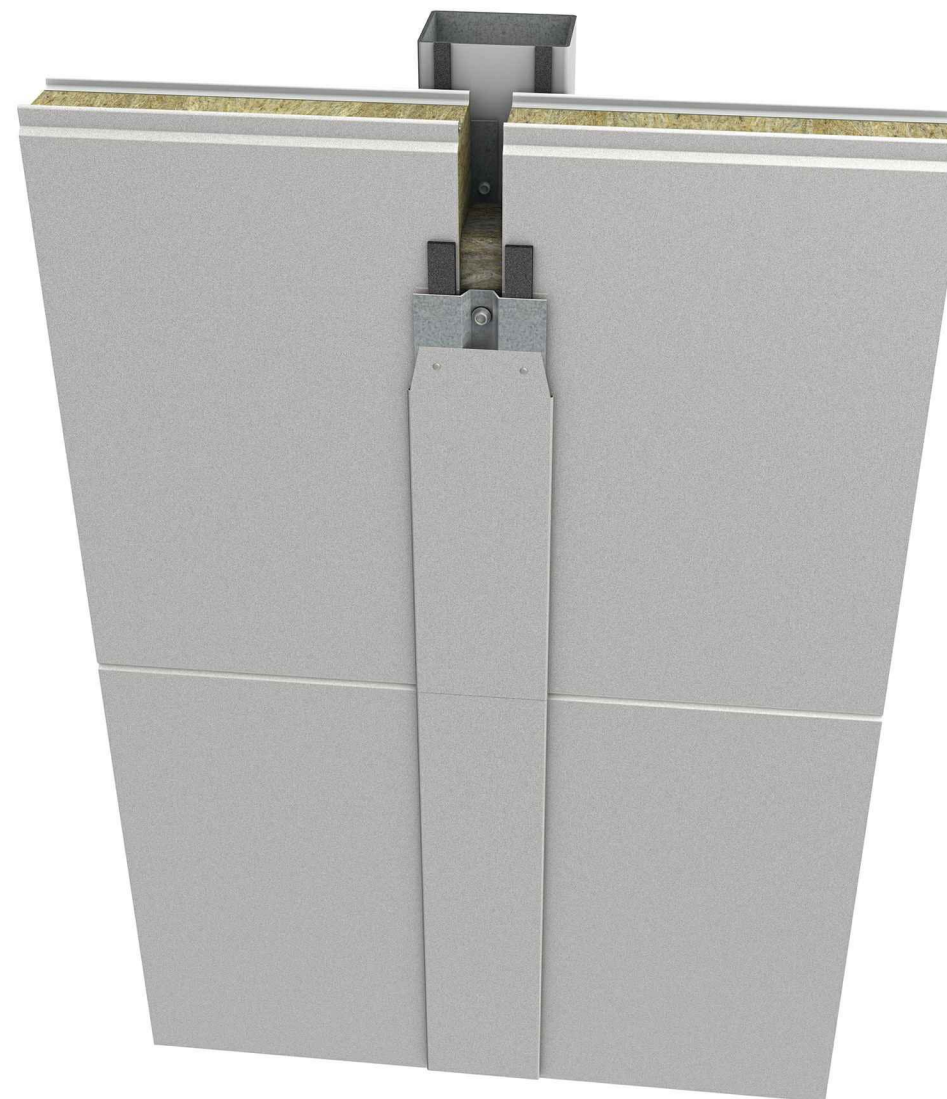
- FIRE - fire-resistant system
- FOOGIENE - food & hygiene system
- BASE - backing-wall system

APPLICATION

- External Facade + External Soffit
- Internal Wall + Internal Ceiling
- Flat Roof Pitched Roof

TRIMOTERM FTV

DETAIL VIEW



CLOSE VIEW



ADVANTAGES

- Prefabrication
- Simplicity
- Flush design
- BIM support

JOINT

Trimo Group holds full copyrights on the information and details provided on this media, therefore any unauthorized reproduction and distribution is strictly prohibited.



HORIZONTAL INSTALLATION

TRIMOTERM FTV

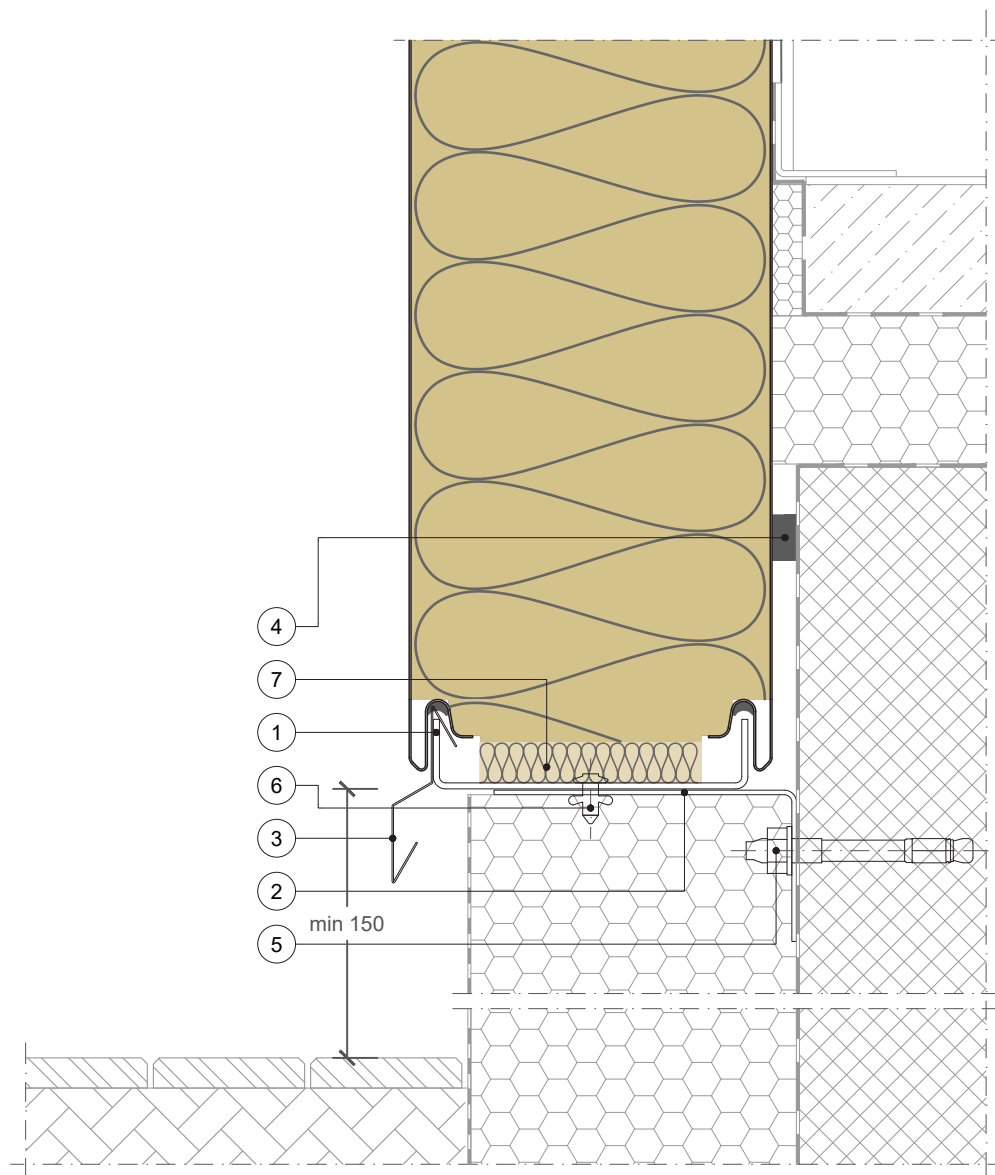
FUNCTION

- FIRE - fire-resistant system
- FOOGIENE - food & hygiene system
- BASE - backing-wall system

APPLICATION

- External Facade
- Internal Wall
- Flat Roof
- + External Soffit
- + Internal Ceiling
- Pitched Roof

VERTICAL CUT



POS.	ELEMENTS	SCALE: M 1:2.5
1	Panel support profile	
2	Support profile	
3	Drip flashing	
4	Self adhesive pre compressed sealing tape	
5	Anchor bolt	
6	Bulb tite rivet	
7	Thermal insulation	

BASE

Trimo Group holds full copyrights on the information and details provided on this media, therefore any unauthorized reproduction and distribution is strictly prohibited.



HORIZONTAL INSTALLATION

TRIMOTERM FTV

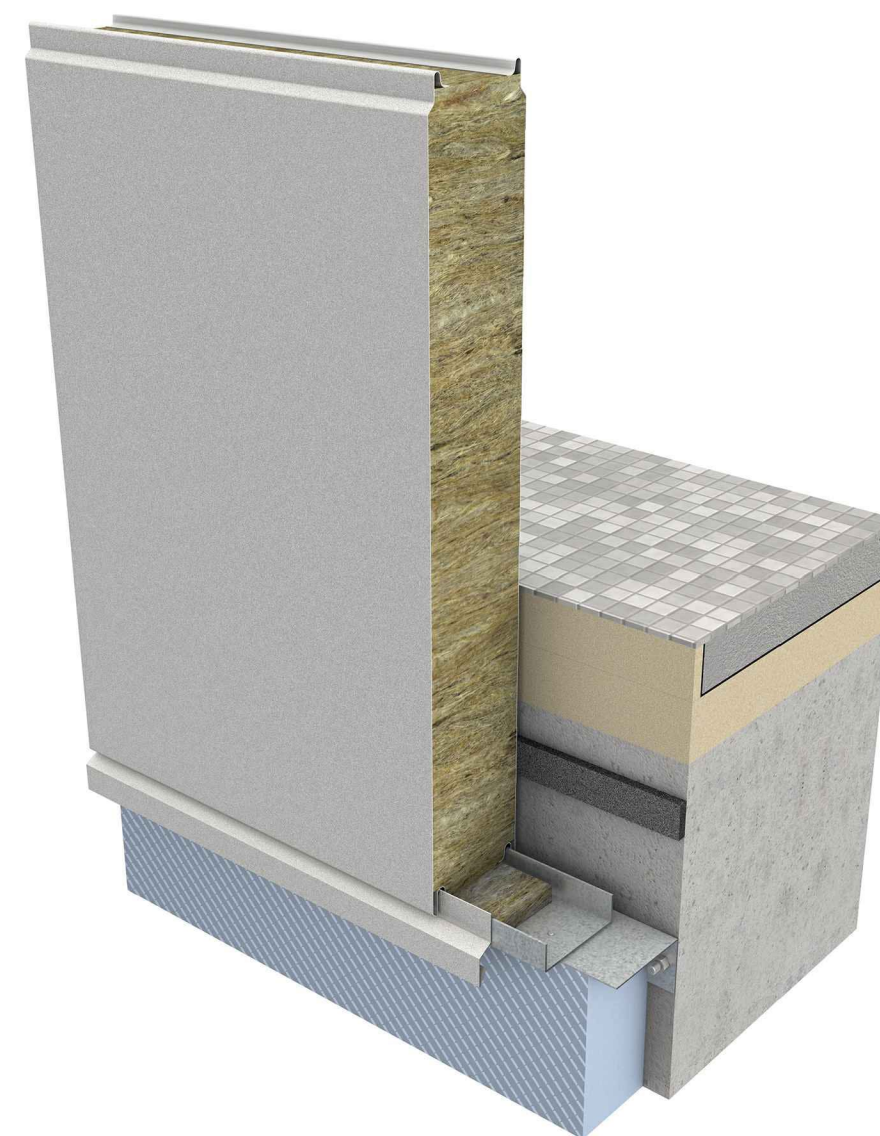
FUNCTION

- FIRE - fire-resistant system
- FOOGIENE - food & hygiene system
- BASE - backing-wall system

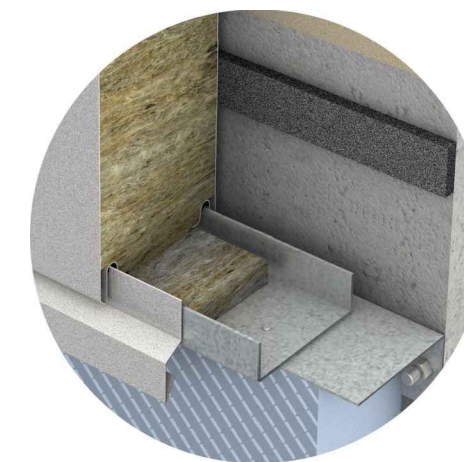
APPLICATION

- External Facade
- Internal Wall
- Flat Roof
- + External Soffit
- + Internal Ceiling
- Pitched Roof

DETAIL VIEW



CLOSE VIEW



ADVANTAGES

- Fire safety
- Fast installation
- Tolerances flexibility
- Prefabrication
- Simplicity
- Flush design
- BIM support

BASE

Trimo Group holds full copyrights on the information and details provided on this media, therefore any unauthorized reproduction and distribution is strictly prohibited.



HORIZONTAL INSTALLATION

TRIMOTERM FTV

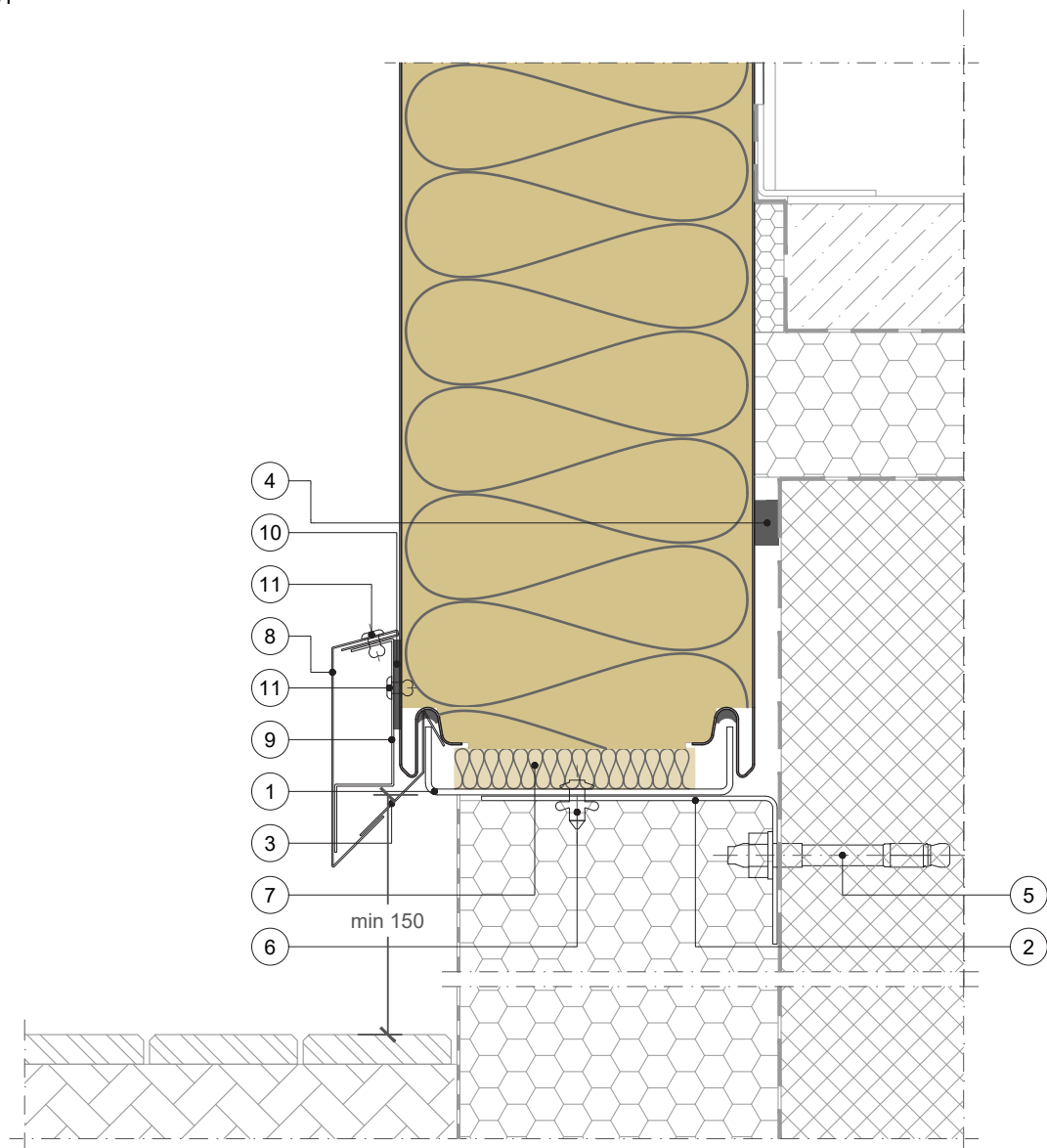
FUNCTION

- FIRE - fire-resistant system
- FOOGIENE - food & hygiene system
- BASE - backing-wall system

APPLICATION

- External Facade + External Soffit
- Internal Wall + Internal Ceiling
- Flat Roof Pitched Roof

VERTICAL CUT



POS.	ELEMENTS	SCALE: M 1:2.5
1	Panel support profile	
2	Support profile	
3	Drip flashing	
4	Self adhesive pre compressed sealing tape	
5	Anchor bolt	
6	Bulb tite rivet	
7	Thermal insulation	
8	Drip flashing mask	
9	Drip flashing mask support	
10	Self adhesive sealing tape EPDM	
11	Blind rivet	

BASE

Trimo Group holds full copyrights on the information and details provided on this media, therefore any unauthorized reproduction and distribution is strictly prohibited.



HORIZONTAL INSTALLATION

TRIMOTERM FTV

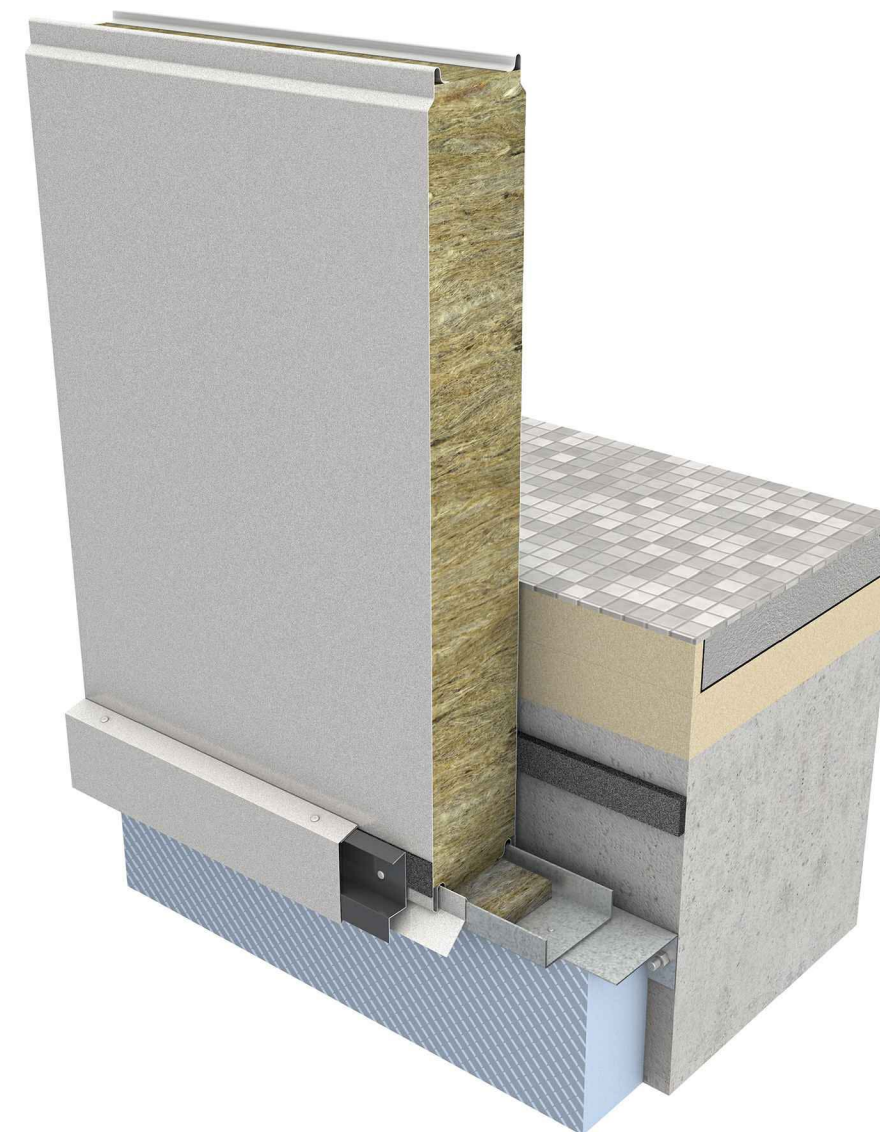
FUNCTION

- FIRE - fire-resistant system
- FOOGIENE - food & hygiene system
- BASE - backing-wall system

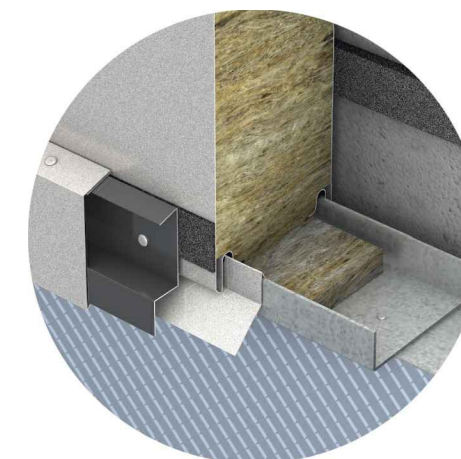
APPLICATION

- External Facade + External Soffit
- Internal Wall + Internal Ceiling
- Flat Roof Pitched Roof

DETAIL VIEW



CLOSE VIEW



ADVANTAGES

- Fire safety
- Tolerances flexibility
- Prefabrication
- Simplicity
- BIM support

BASE

Trimo Group holds full copyrights on the information and details provided on this media, therefore any unauthorized reproduction and distribution is strictly prohibited.



HORIZONTAL INSTALLATION

FUNCTION

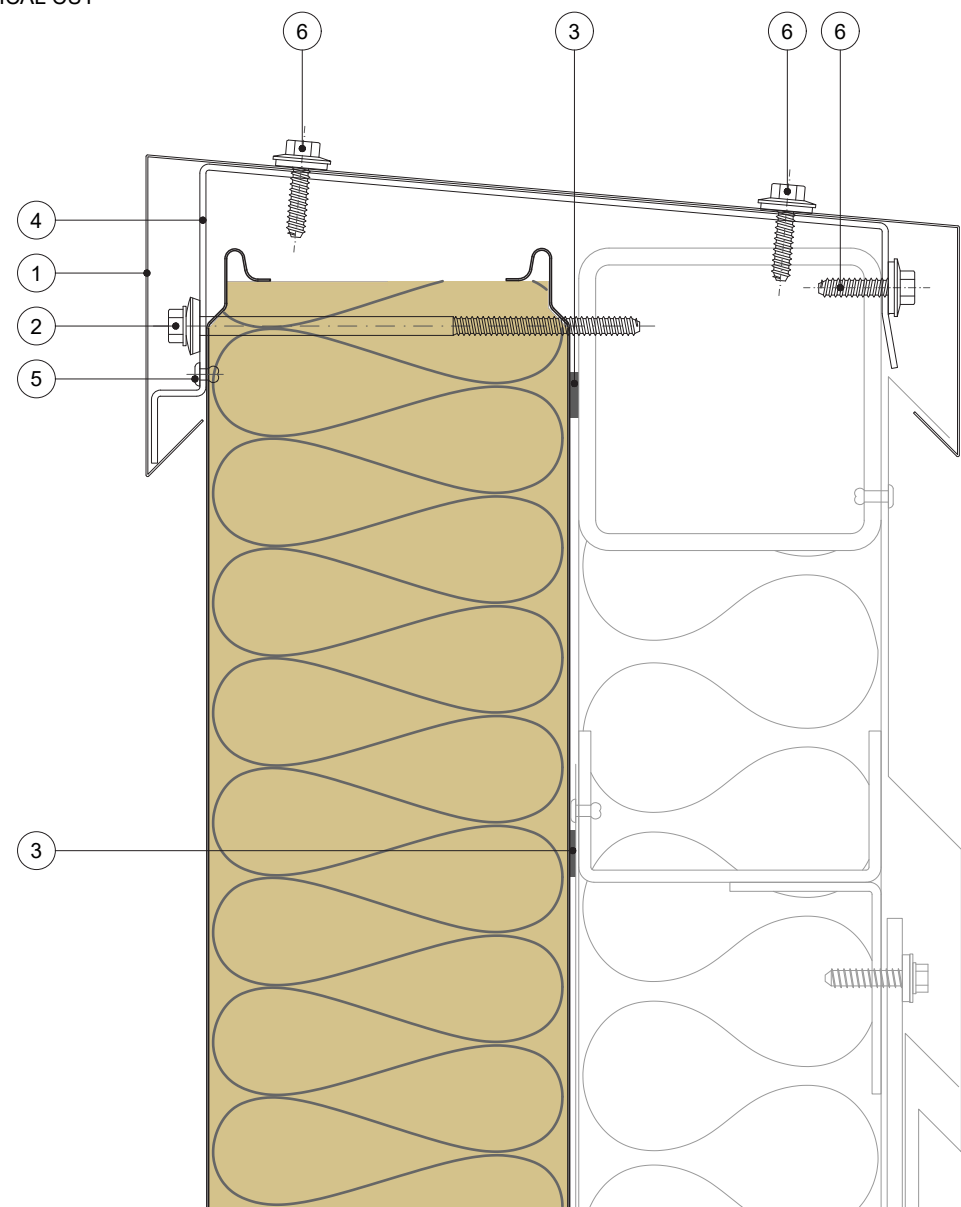
- FIRE - fire-resistant system
- FOOGIENE - food & hygiene system
- BASE - backing-wall system

APPLICATION

- External Facade
- Internal Wall
- Flat Roof
- + External Soffit
- + Internal Ceiling
- Pitched Roof

TRIMOTERM FTV

VERTICAL CUT



POS.	ELEMENT	SCALE: M 1:2.5
1	Parapet cap	
2	Fixing screw	
3	Self adhesive sealing tape PE	
4	Parapet cap support profile	
5	Blind rivet	
6	Fixing screw	

PARAPET

Trimo Group holds full copyrights on the information and details provided on this media, therefore any unauthorized reproduction and distribution is strictly prohibited.



HORIZONTAL INSTALLATION

FUNCTION

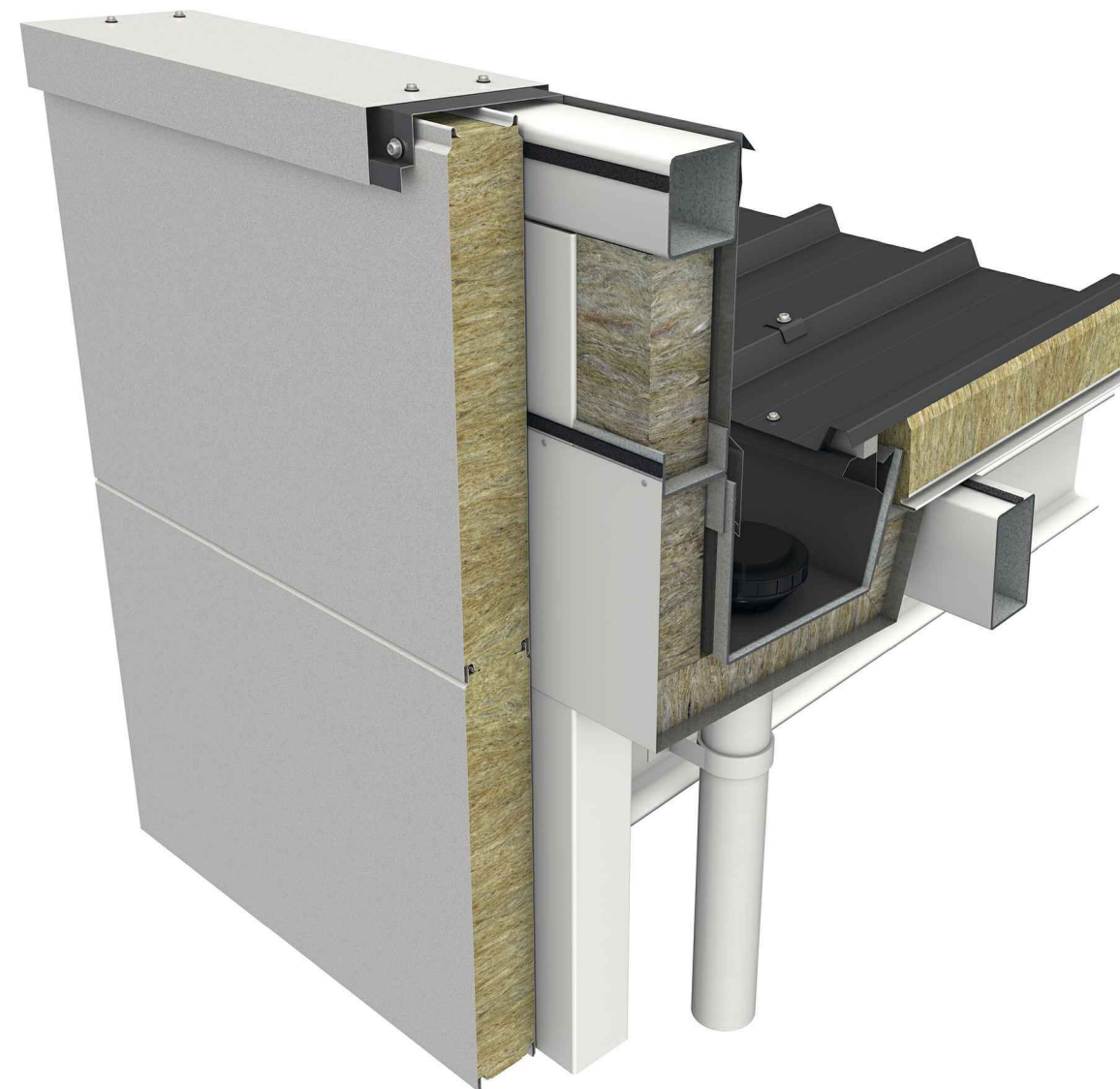
- FIRE - fire-resistant system
- FOOGIENE - food & hygiene system
- BASE - backing-wall system

APPLICATION

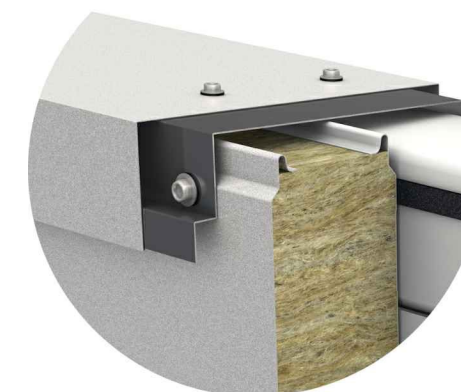
- External Facade
- Internal Wall
- Flat Roof
- + External Soffit
- + Internal Ceiling
- Pitched Roof

TRIMOTERM FTV

DETAIL VIEW



CLOSE VIEW



ADVANTAGES

- Fire safety
- Tolerances flexibility
- Prefabrication
- Simplicity
- BIM support

PARAPET

Trimo Group holds full copyrights on the information and details provided on this media, therefore any unauthorized reproduction and distribution is strictly prohibited.



HORIZONTAL INSTALLATION

FUNCTION

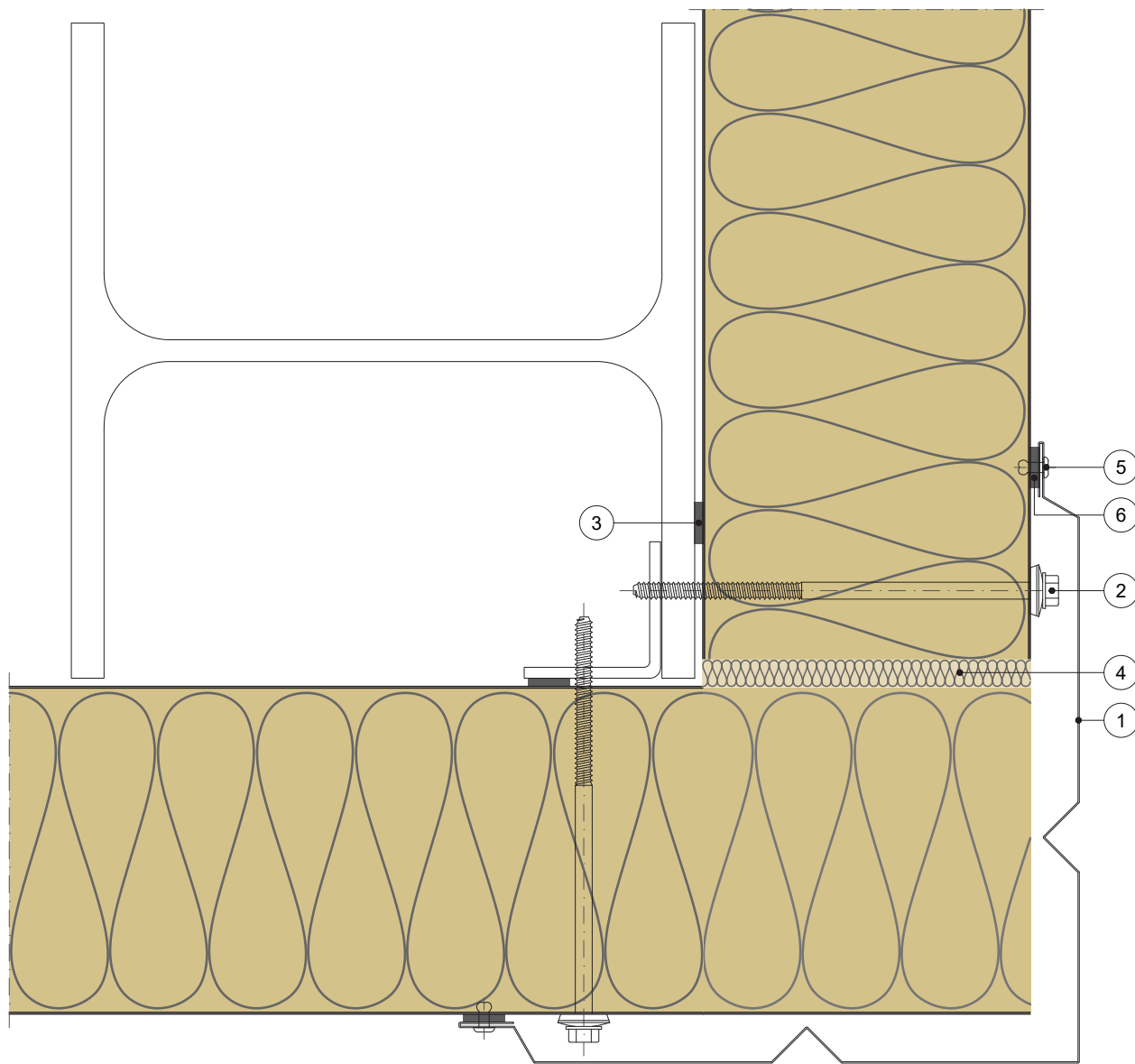
- FIRE - fire-resistant system
- FOOGIENE - food & hygiene system
- BASE - backing-wall system

APPLICATION

- External Facade
- Internal Wall
- Flat Roof
- External Soffit
- Internal Ceiling
- Pitched Roof

TRIMOTERM FTV

HORIZONTAL CUT



POS.	ELEMENTS	SCALE: M 1:2.5
1	Corner flashing	
2	Fixing screw	
3	Self adhesive sealing tape PE	
4	Thermal insulation	
5	Blind rivet	
6	Self adhesive sealing tape EPDM	

EXTERNAL CORNER

Trimo Group holds full copyrights on the information and details provided on this media, therefore any unauthorized reproduction and distribution is strictly prohibited.



HORIZONTAL INSTALLATION

FUNCTION

- FIRE - fire-resistant system
- FOOGIENE - food & hygiene system
- BASE - backing-wall system

APPLICATION

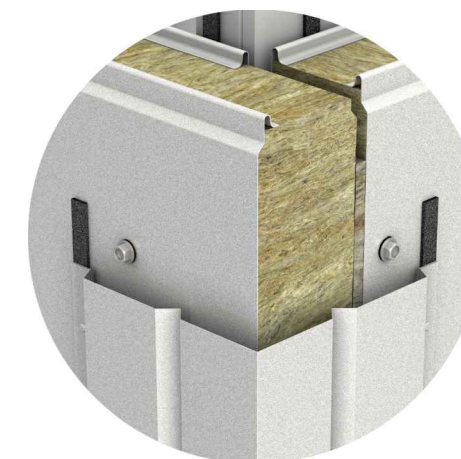
- External Facade
- Internal Wall
- Flat Roof
- External Soffit
- Internal Ceiling
- Pitched Roof

TRIMOTERM FTV

DETAIL VIEW



CLOSE VIEW



ADVANTAGES

- Fire safety
- Fast installation
- Tolerances flexibility
- Prefabrication
- Simplicity
- BIM support

EXTERNAL CORNER

Trimo Group holds full copyrights on the information and details provided on this media, therefore any unauthorized reproduction and distribution is strictly prohibited.



HORIZONTAL INSTALLATION

FUNCTION

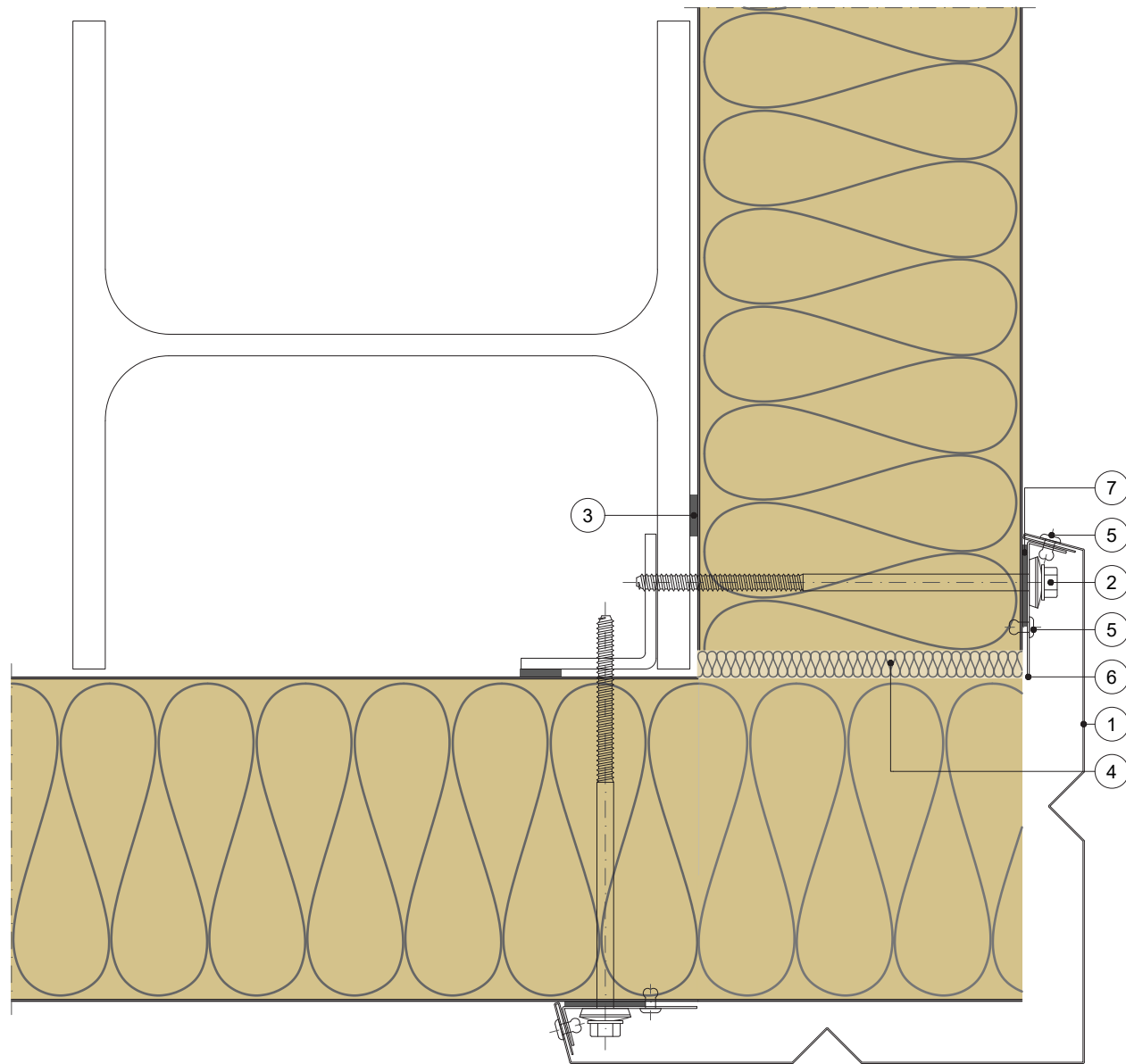
- FIRE - fire-resistant system
- FOOGIENE - food & hygiene system
- BASE - backing-wall system

APPLICATION

- External Facade
- Internal Wall
- Flat Roof
- + External Soffit
- + Internal Ceiling
- Pitched Roof

TRIMOTERM FTV

HORIZONTAL CUT



POS.	ELEMENTS	SCALE: M 1:2.5
1	Corner flashing	
2	Fixing screw	
3	Self adhesive sealing tape PE	
4	Thermal insulation	
5	Blind rivet	
6	Flashing support	
7	Self adhesive sealing tape EPDM	

EXTERNAL CORNER

Trimo Group holds full copyrights on the information and details provided on this media, therefore any unauthorized reproduction and distribution is strictly prohibited.



HORIZONTAL INSTALLATION

FUNCTION

- FIRE - fire-resistant system
- FOOGIENE - food & hygiene system
- BASE - backing-wall system

APPLICATION

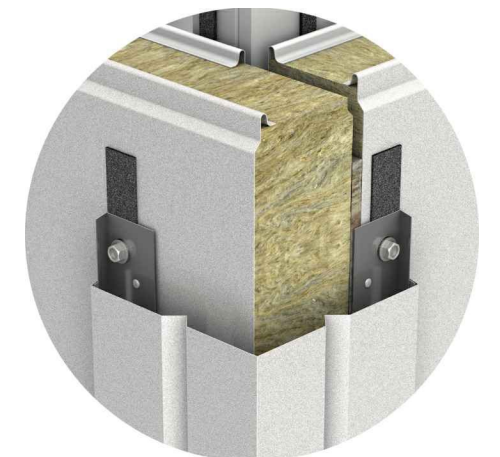
- External Facade
- Internal Wall
- Flat Roof
- + External Soffit
- + Internal Ceiling
- Pitched Roof

TRIMOTERM FTV

DETAIL VIEW



CLOSE VIEW



ADVANTAGES

- Fire safety
- Tolerances flexibility
- Prefabrication
- Simplicity
- BIM support

EXTERNAL CORNER

Trimo Group holds full copyrights on the information and details provided on this media, therefore any unauthorized reproduction and distribution is strictly prohibited.



HORIZONTAL INSTALLATION

FUNCTION

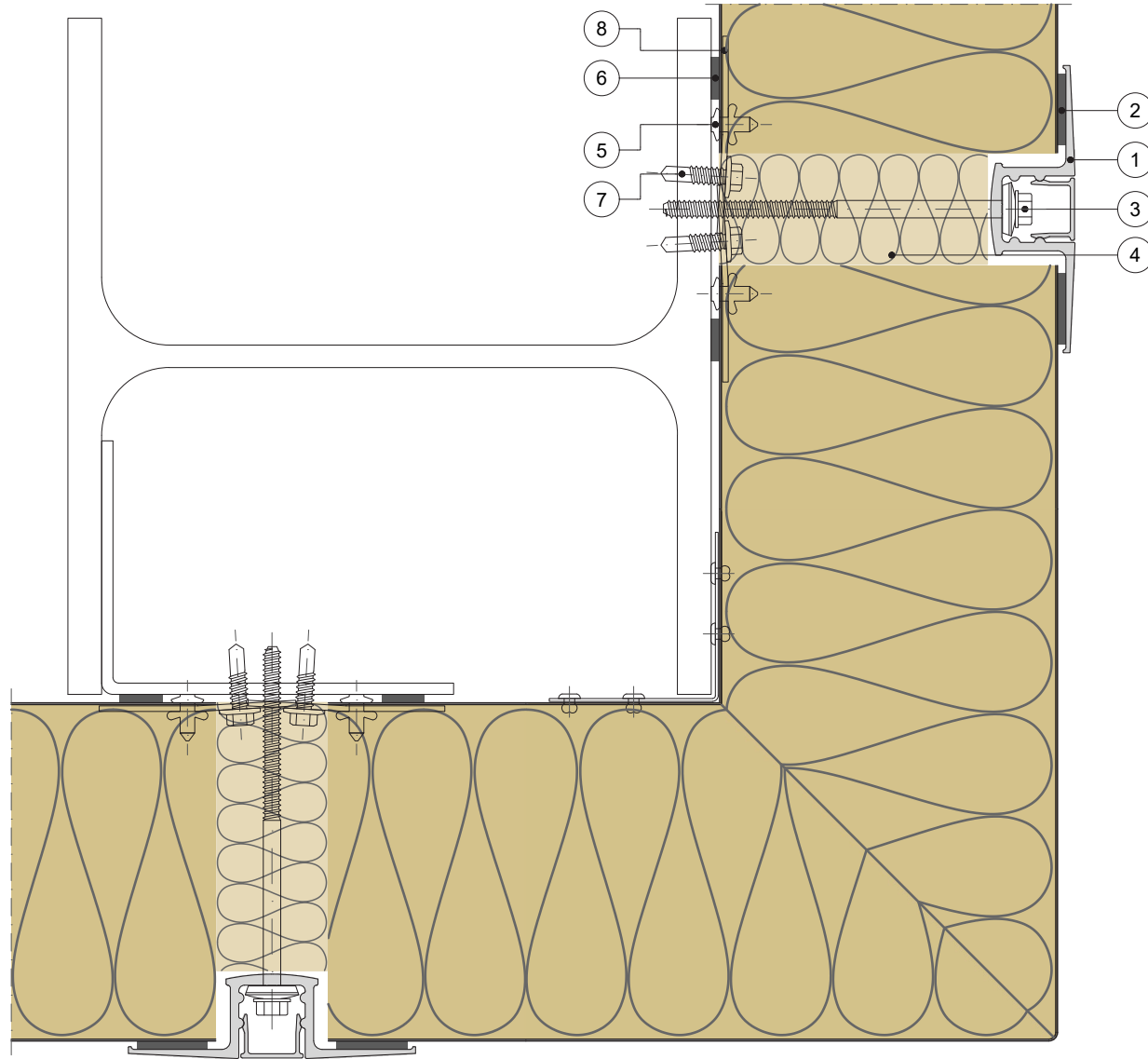
- FIRE - fire-resistant system
- FOOGIENE - food & hygiene system
- BASE - backing-wall system

APPLICATION

- External Facade
- Internal Wall
- Flat Roof
- External Soffit
- Internal Ceiling
- Pitched Roof

TRIMOTERM FTV

HORIZONTAL CUT



POS.	ELEMENTS	SCALE: M 1:2.5
1	HF102 aluminium fixing profile	
2	Self adhesive sealing tape EPDM	
3	Fixing screw	
4	Thermal insulation	
5	Bulb tite rivet	
6	Self adhesive sealing tape PE	
7	Fixing screw	
8	Fixing element	

EXTERNAL CORNER

Trimo Group holds full copyrights on the information and details provided on this media, therefore any unauthorized reproduction and distribution is strictly prohibited.



HORIZONTAL INSTALLATION

FUNCTION

- FIRE - fire-resistant system
- FOOGIENE - food & hygiene system
- BASE - backing-wall system

APPLICATION

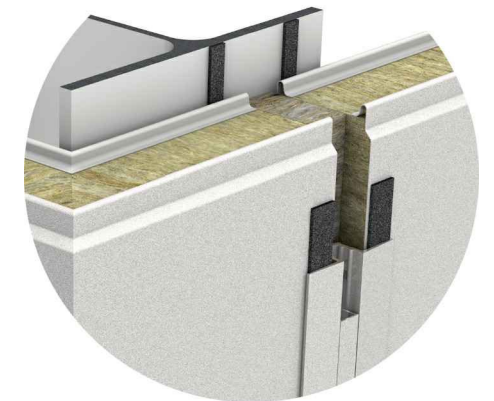
- External Facade
- Internal Wall
- Flat Roof
- External Soffit
- Internal Ceiling
- Pitched Roof

TRIMOTERM FTV

DETAIL VIEW



CLOSE VIEW



ADVANTAGES

- Fast installation
- Tolerances flexibility
- Prefabrication
- Simplicity
- Flush design
- BIM support

EXTERNAL CORNER

Trimo Group holds full copyrights on the information and details provided on this media, therefore any unauthorized reproduction and distribution is strictly prohibited.



HORIZONTAL INSTALLATION

TRIMOTERM FTV

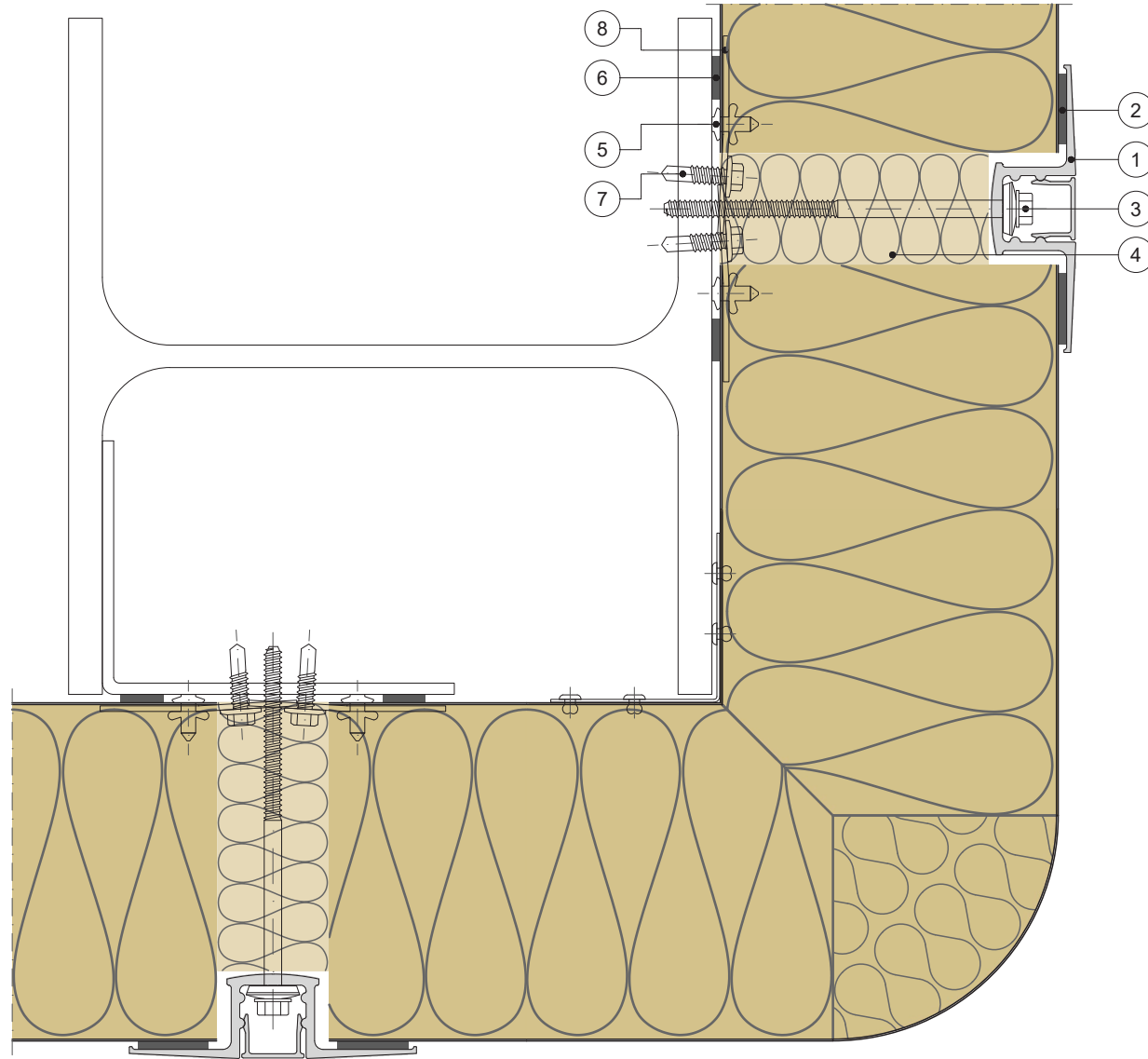
FUNCTION

- FIRE - fire-resistant system
- FOOGIENE - food & hygiene system
- BASE - backing-wall system

APPLICATION

- External Facade
- Internal Wall
- Flat Roof
- + External Soffit
- + Internal Ceiling
- Pitched Roof

HORIZONTAL CUT



NOTE

- Rounded corner can be produced only when the outside steel sheet profile is microlined.

POS.	ELEMENTS	SCALE: M 1:2.5
1	HF102 aluminium fixing profile	
2	Self adhesive sealing tape EPDM	
3	Fixing screw	
4	Thermal insulation	
5	Bulb tite rivet	
6	Self adhesive sealing tape PE	
7	Fixing screw	
8	Fixing element	

EXTERNAL CORNER

Trimo Group holds full copyrights on the information and details provided on this media, therefore any unauthorized reproduction and distribution is strictly prohibited.



HORIZONTAL INSTALLATION

TRIMOTERM FTV

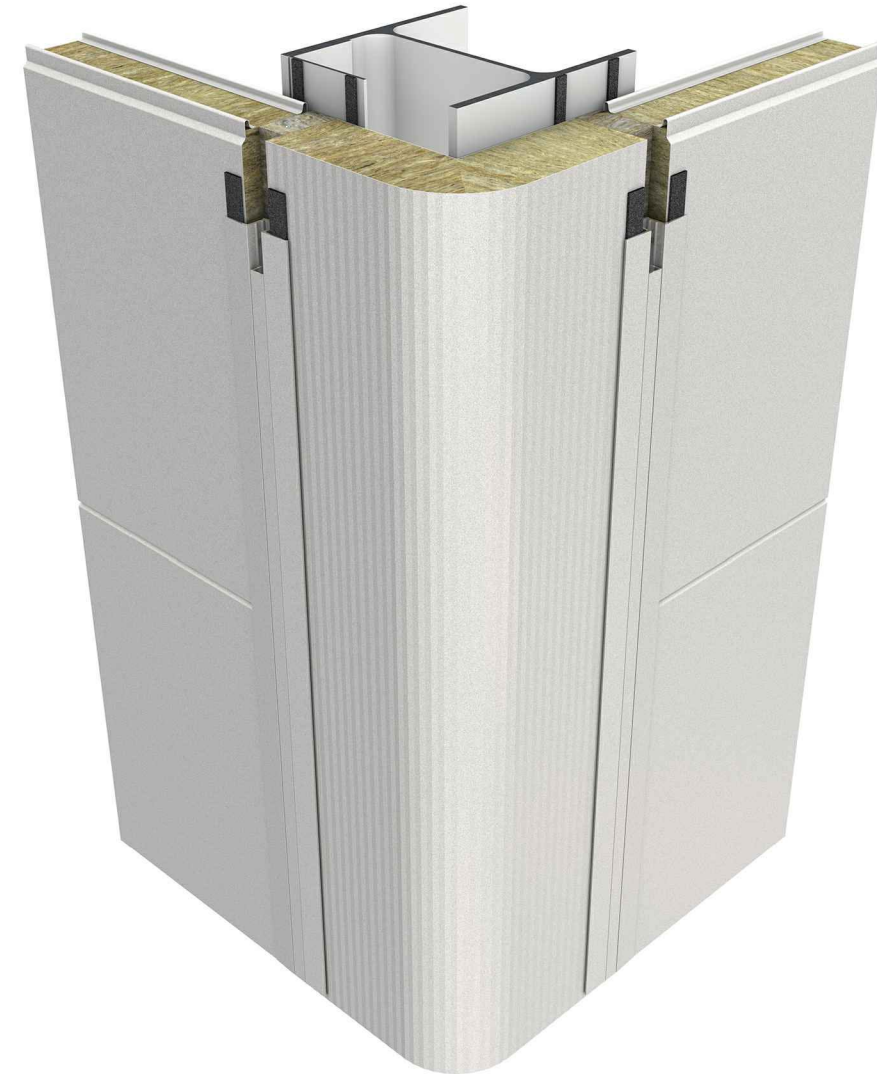
FUNCTION

- FIRE - fire-resistant system
- FOOGIENE - food & hygiene system
- BASE - backing-wall system

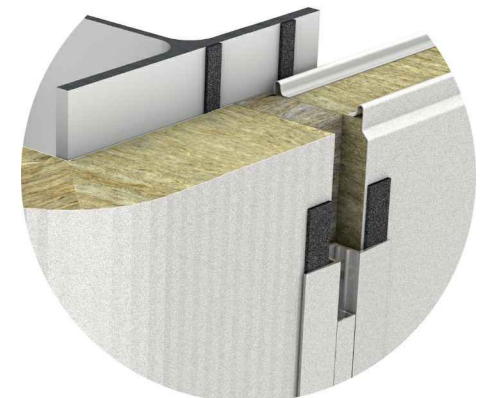
APPLICATION

- External Facade
- Internal Wall
- Flat Roof
- + External Soffit
- + Internal Ceiling
- Pitched Roof

DETAIL VIEW



CLOSE VIEW



ADVANTAGES

- Fast installation
- Tolerances flexibility
- Prefabrication
- Simplicity
- Flush design
- BIM support

EXTERNAL CORNER

Trimo Group holds full copyrights on the information and details provided on this media, therefore any unauthorized reproduction and distribution is strictly prohibited.



HORIZONTAL INSTALLATION

FUNCTION

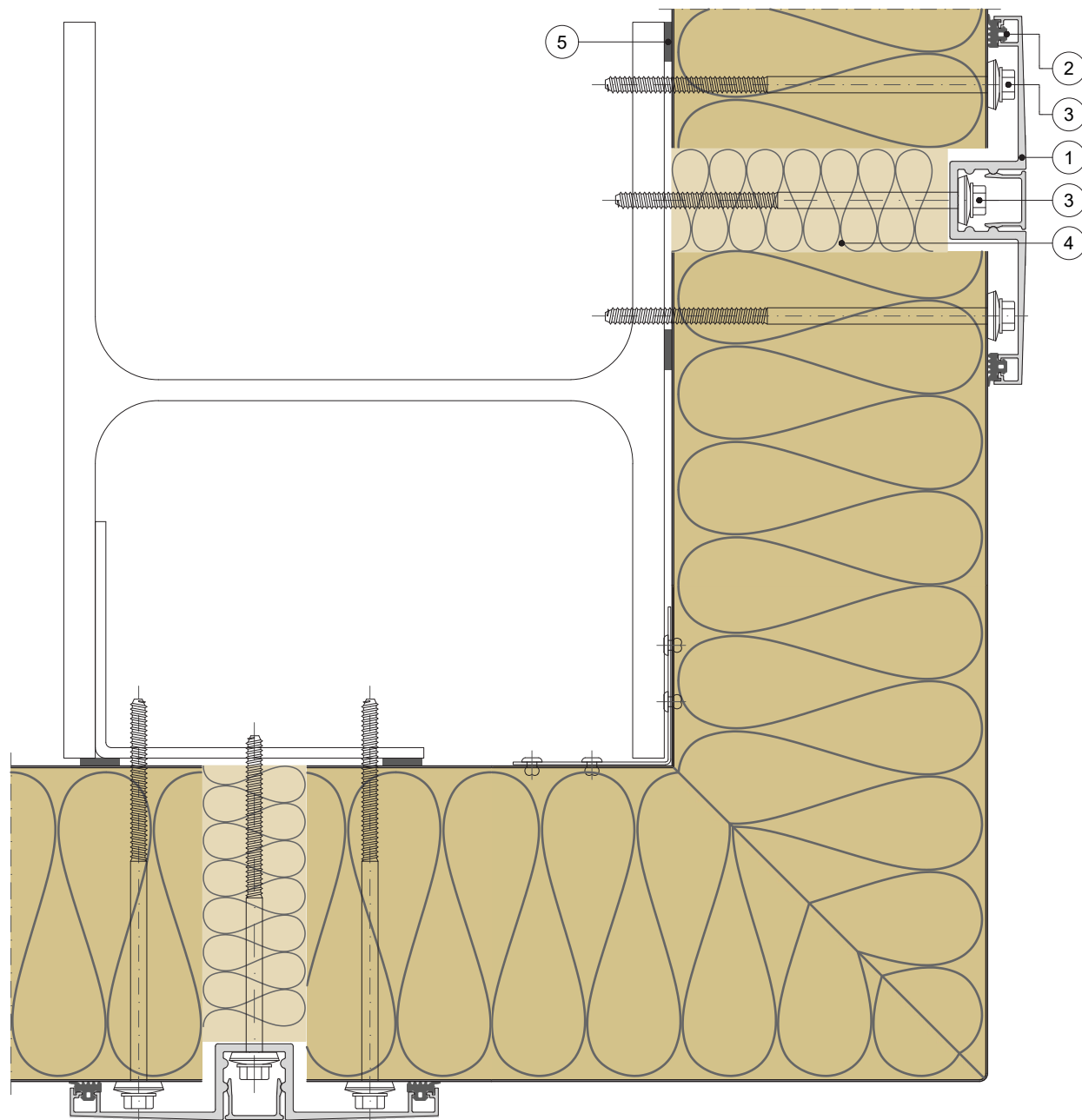
- FIRE - fire-resistant system
- FOOGIENE - food & hygiene system
- BASE - backing-wall system

APPLICATION

- External Facade
- Internal Wall
- Flat Roof
- External Soffit
- Internal Ceiling
- Pitched Roof

TRIMOTERM FTV

HORIZONTAL CUT



POS.	ELEMENTS	SCALE: M 1:2.5
1	HF140 aluminium fixing profile	
2	EPDM gasket	
3	Fixing screw	
4	Thermal insulation	
5	Self adhesive sealing tape PE	

EXTERNAL CORNER

Trimo Group holds full copyrights on the information and details provided on this media, therefore any unauthorized reproduction and distribution is strictly prohibited.



HORIZONTAL INSTALLATION

FUNCTION

- FIRE - fire-resistant system
- FOOGIENE - food & hygiene system
- BASE - backing-wall system

APPLICATION

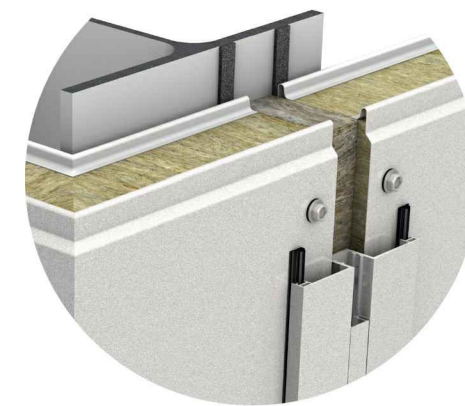
- External Facade
- Internal Wall
- Flat Roof
- External Soffit
- Internal Ceiling
- Pitched Roof

TRIMOTERM FTV

DETAIL VIEW



CLOSE VIEW



ADVANTAGES

- Fire safety
- Fast installation
- Prefabrication
- Simplicity
- BIM support

EXTERNAL CORNER

Trimo Group holds full copyrights on the information and details provided on this media, therefore any unauthorized reproduction and distribution is strictly prohibited.



HORIZONTAL INSTALLATION

FUNCTION

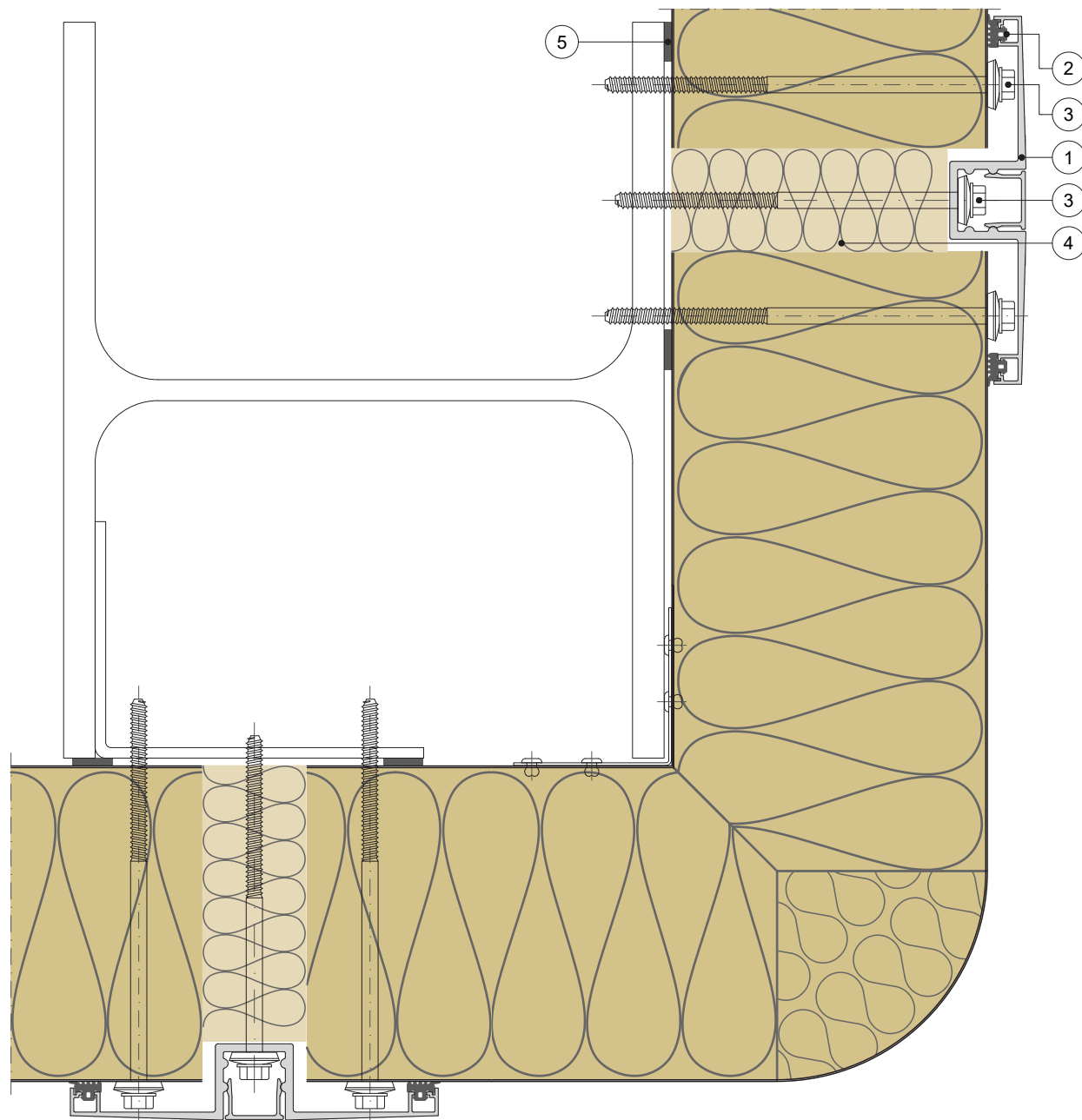
- FIRE - fire-resistant system
- FOOGIENE - food & hygiene system
- BASE - backing-wall system

APPLICATION

- External Facade
- Internal Wall
- Flat Roof
- External Soffit
- Internal Ceiling
- Pitched Roof

TRIMOTERM FTV

HORIZONTAL CUT



NOTE

- Rounded corner can be produced only when the outside steel sheet profile is microlined.

POS.	ELEMENTS	SCALE: M 1:2.5
1	HF140 aluminium fixing profile	
2	EPDM gasket	
3	Fixing screw	
4	Thermal insulation	
5	Self adhesive sealing tape PE	

EXTERNAL CORNER

Trimo Group holds full copyrights on the information and details provided on this media, therefore any unauthorized reproduction and distribution is strictly prohibited.



HORIZONTAL INSTALLATION

FUNCTION

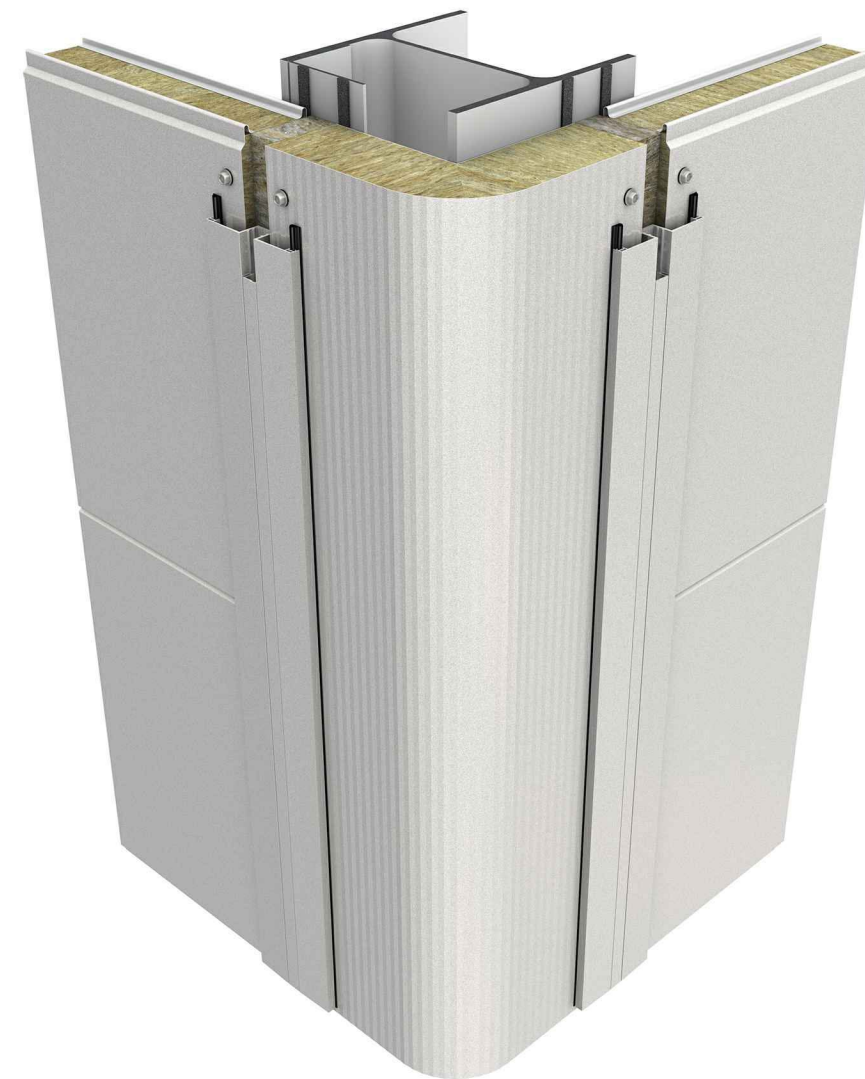
- FIRE - fire-resistant system
- FOOGIENE - food & hygiene system
- BASE - backing-wall system

APPLICATION

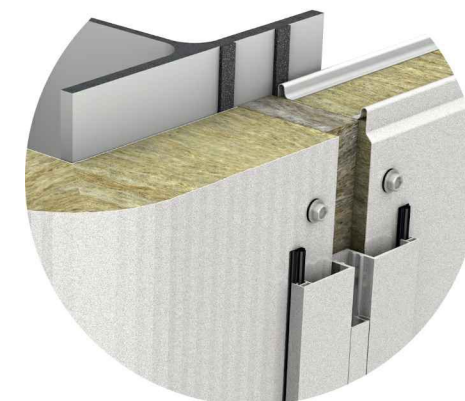
- External Facade
- Internal Wall
- Flat Roof
- External Soffit
- Internal Ceiling
- Pitched Roof

TRIMOTERM FTV

DETAIL VIEW



CLOSE VIEW



ADVANTAGES

- Fire safety
- Fast installation
- Prefabrication
- Simplicity
- BIM support

EXTERNAL CORNER

Trimo Group holds full copyrights on the information and details provided on this media, therefore any unauthorized reproduction and distribution is strictly prohibited.



HORIZONTAL INSTALLATION

FUNCTION

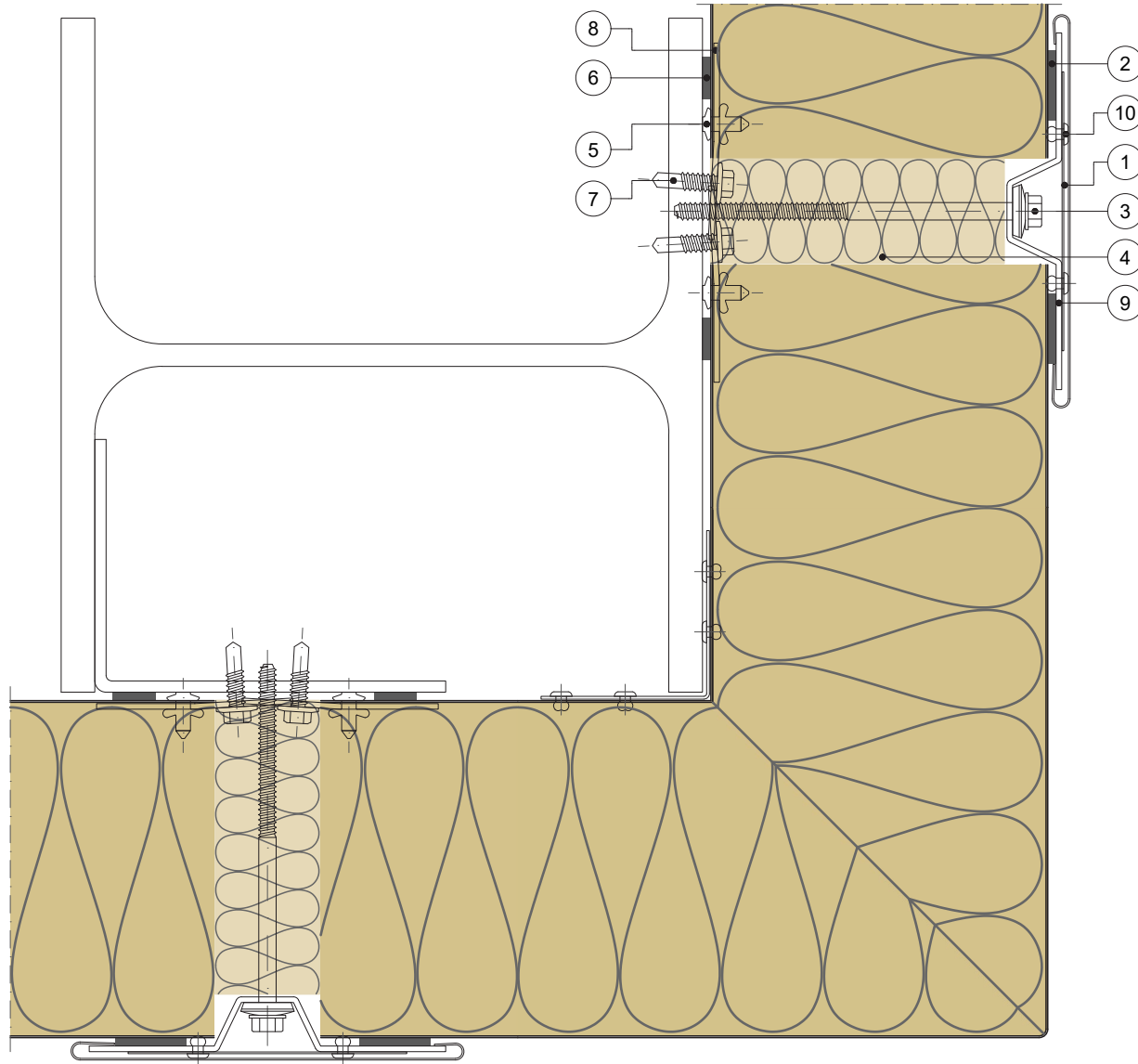
- FIRE - fire-resistant system
- FOOGIENE - food & hygiene system
- BASE - backing-wall system

APPLICATION

- External Facade
- Internal Wall
- Flat Roof
- + External Soffit
- + Internal Ceiling
- Pitched Roof

TRIMOTERM FTV

HORIZONTAL CUT



POS.	ELEMENTS	SCALE: M 1:2.5
1	Joint flashing	
2	Self adhesive sealing tape EPDM	
3	Fixing screw	
4	Thermal insulation	
5	Bulb tite rivet	
6	Self adhesive sealing tape PE	
7	Fixing screw	
8	Fixing element	
9	Fixing profile	
10	Blind rivet	

EXTERNAL CORNER

Trimo Group holds full copyrights on the information and details provided on this media, therefore any unauthorized reproduction and distribution is strictly prohibited.



HORIZONTAL INSTALLATION

FUNCTION

- FIRE - fire-resistant system
- FOOGIENE - food & hygiene system
- BASE - backing-wall system

APPLICATION

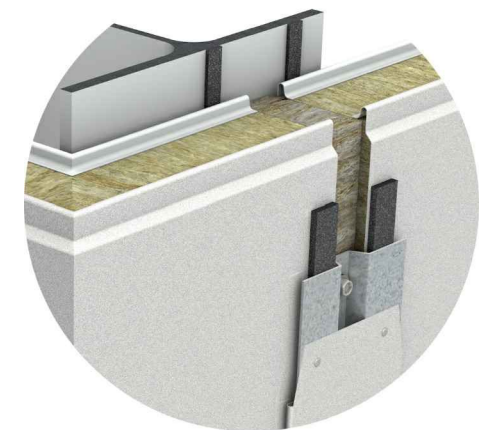
- External Facade
- Internal Wall
- Flat Roof
- + External Soffit
- + Internal Ceiling
- Pitched Roof

TRIMOTERM FTV

DETAIL VIEW



CLOSE VIEW



ADVANTAGES

- Prefabrication
- Simplicity
- Flush design
- BIM support

EXTERNAL CORNER

Trimo Group holds full copyrights on the information and details provided on this media, therefore any unauthorized reproduction and distribution is strictly prohibited.



HORIZONTAL INSTALLATION

FUNCTION

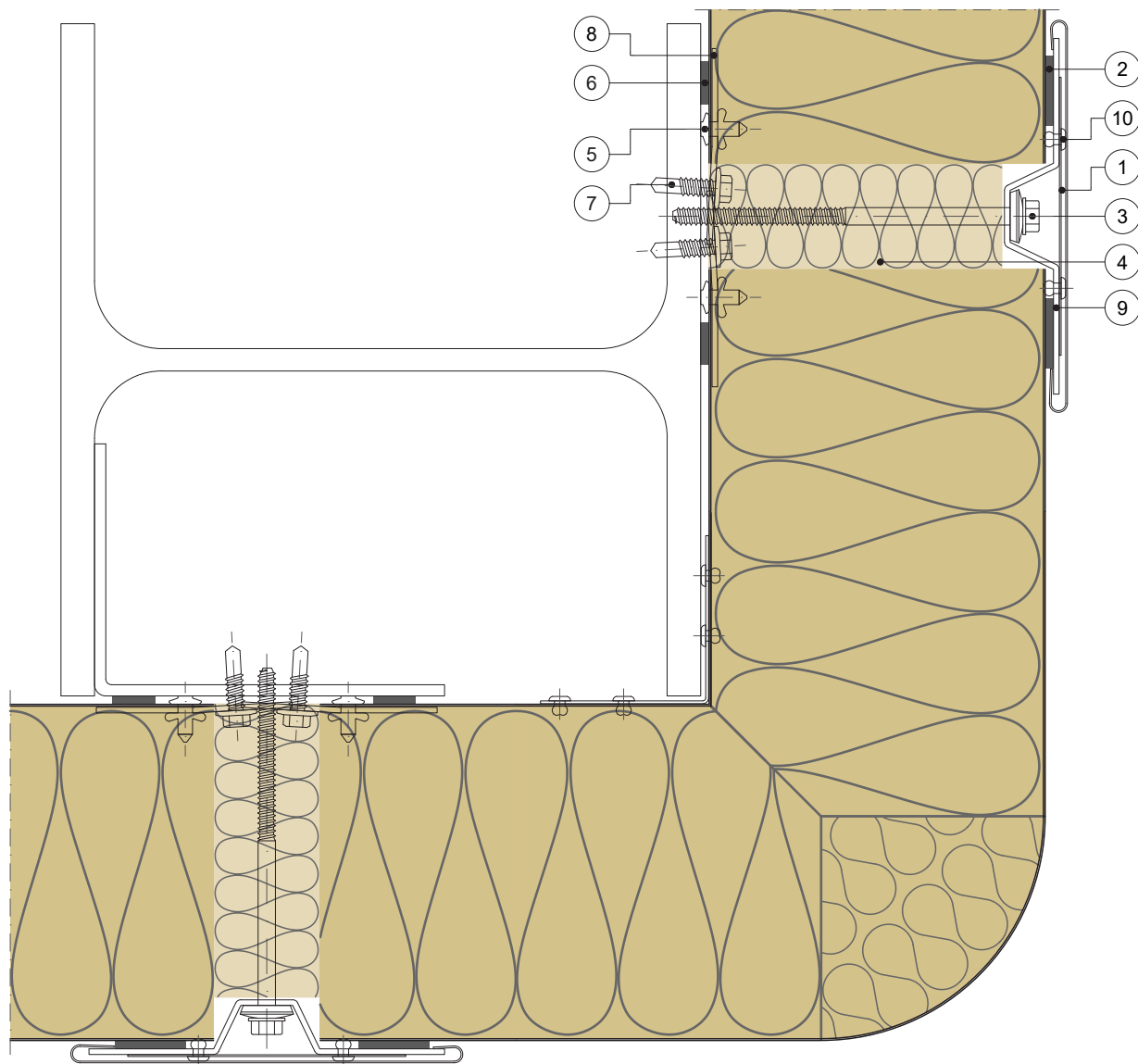
- FIRE - fire-resistant system
- FOOGIENE - food & hygiene system
- BASE - backing-wall system

APPLICATION

- External Facade
- Internal Wall
- Flat Roof
- + External Soffit
- + Internal Ceiling
- Pitched Roof

TRIMOTERM FTV

HORIZONTAL CUT



NOTE

- Rounded corner can be produced only when the outside steel sheet profile is microlined.

POS.	ELEMENTS	SCALE: M 1:2.5
1	Joint flashing	
2	Self adhesive sealing tape EPDM	
3	Fixing screw	
4	Thermal insulation	
5	Bulb tite rivet	
6	Self adhesive sealing tape PE	
7	Fixing screw	
8	Fixing element	
9	Fixing profile	
10	Blind rivet	

EXTERNAL CORNER

Trimo Group holds full copyrights on the information and details provided on this media, therefore any unauthorized reproduction and distribution is strictly prohibited.



HORIZONTAL INSTALLATION

FUNCTION

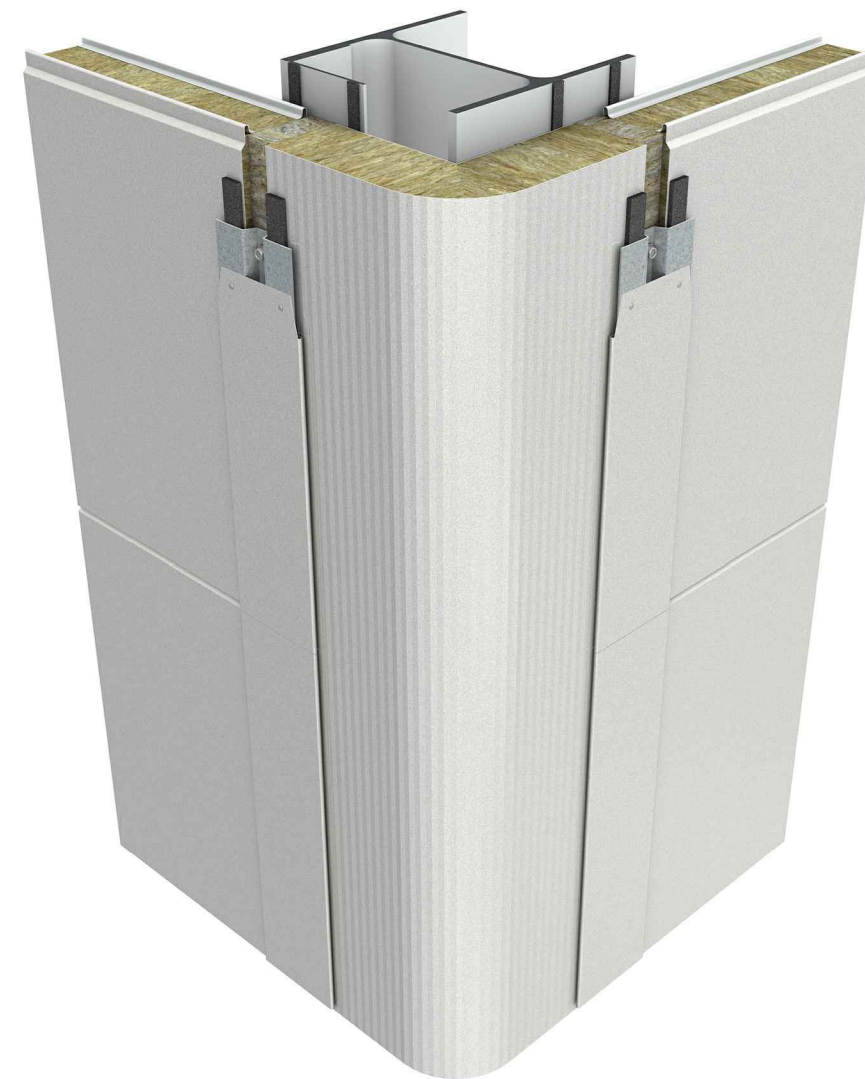
- FIRE - fire-resistant system
- FOOGIENE - food & hygiene system
- BASE - backing-wall system

APPLICATION

- External Facade
- Internal Wall
- Flat Roof
- + External Soffit
- + Internal Ceiling
- Pitched Roof

TRIMOTERM FTV

DETAIL VIEW



CLOSE VIEW



ADVANTAGES

- Prefabrication
- Simplicity
- Flush design
- BIM support

EXTERNAL CORNER

Trimo Group holds full copyrights on the information and details provided on this media, therefore any unauthorized reproduction and distribution is strictly prohibited.



HORIZONTAL INSTALLATION

FUNCTION

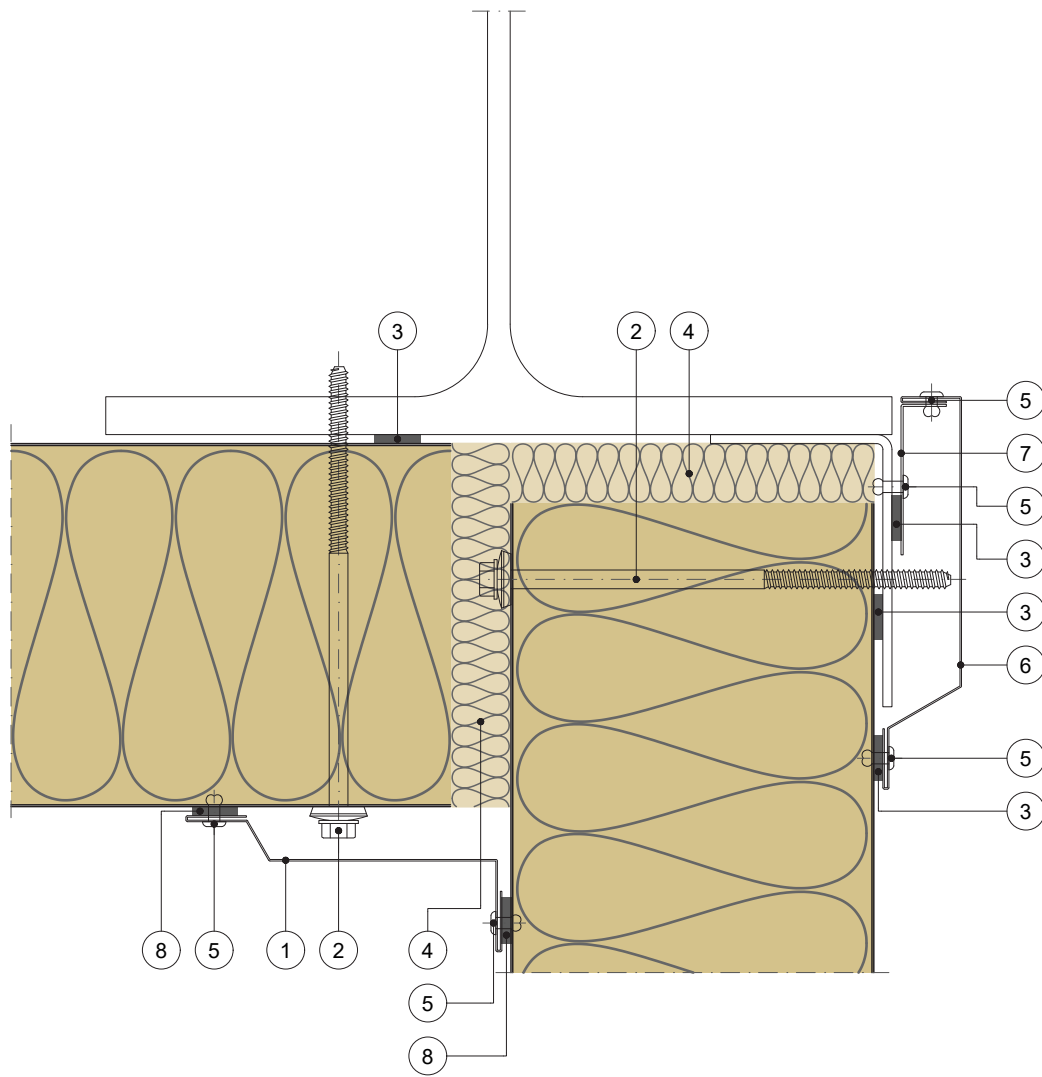
- FIRE - fire-resistant system
- FOOGIENE - food & hygiene system
- BASE - backing-wall system

APPLICATION

- External Facade
- Internal Wall
- Flat Roof
- External Soffit
- Internal Ceiling
- Pitched Roof

TRIMOTERM FTV

HORIZONTAL CUT



POS.	ELEMENTS	SCALE: M 1:2.5
1	Corner flashing	
2	Fixing screw	
3	Self adhesive sealing tape PE	
4	Thermal insulation	
5	Blind rivet	
6	Internal flashing	
7	Internal flashing support	
8	Self adhesive sealing tape EPDM	

INTERNAL CORNER

Trimo Group holds full copyrights on the information and details provided on this media, therefore any unauthorized reproduction and distribution is strictly prohibited.



HORIZONTAL INSTALLATION

FUNCTION

- FIRE - fire-resistant system
- FOOGIENE - food & hygiene system
- BASE - backing-wall system

APPLICATION

- External Facade
- Internal Wall
- Flat Roof
- External Soffit
- Internal Ceiling
- Pitched Roof

TRIMOTERM FTV

DETAIL VIEW



CLOSE VIEW



ADVANTAGES

- Fire safety
- Span distance
- Fast installation
- Tolerances flexibility
- Prefabrication
- Simplicity
- BIM support

INTERNAL CORNER

Trimo Group holds full copyrights on the information and details provided on this media, therefore any unauthorized reproduction and distribution is strictly prohibited.



HORIZONTAL INSTALLATION

FUNCTION

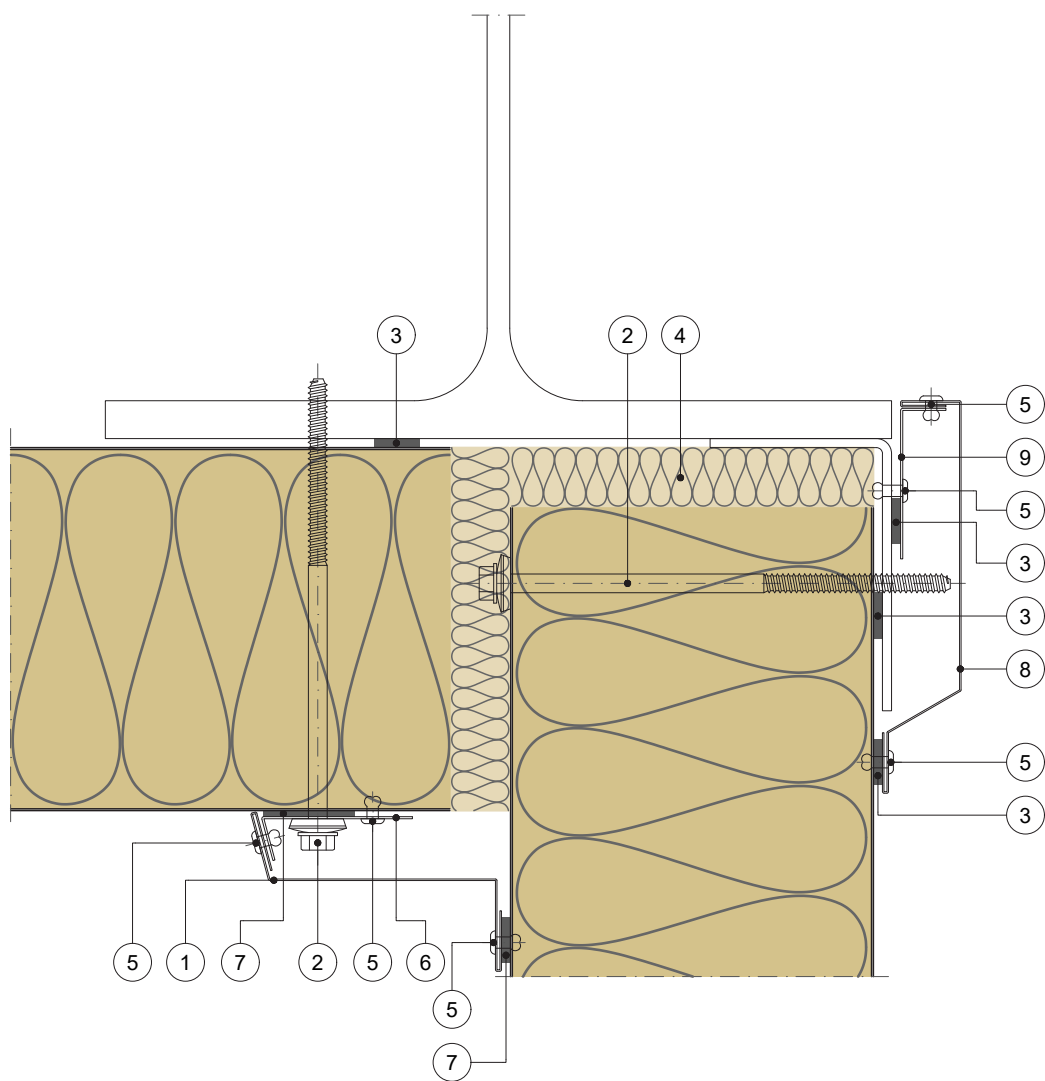
- FIRE - fire-resistant system
- FOOGIENE - food & hygiene system
- BASE - backing-wall system

APPLICATION

- External Facade + External Soffit
- Internal Wall + Internal Ceiling
- Flat Roof Pitched Roof

TRIMOTERM FTV

HORIZONTAL CUT



POS.	ELEMENTS	SCALE: M 1:2.5
1	Corner flashing	
2	Fixing screw	
3	Self adhesive sealing tape PE	
4	Thermal insulation	
5	Blind rivet	
6	Flashing support	
7	Self adhesive sealing tape EPDM	
8	Internal flashing	
9	Internal flashing support	

INTERNAL CORNER

Trimo Group holds full copyrights on the information and details provided on this media, therefore any unauthorized reproduction and distribution is strictly prohibited.



HORIZONTAL INSTALLATION

FUNCTION

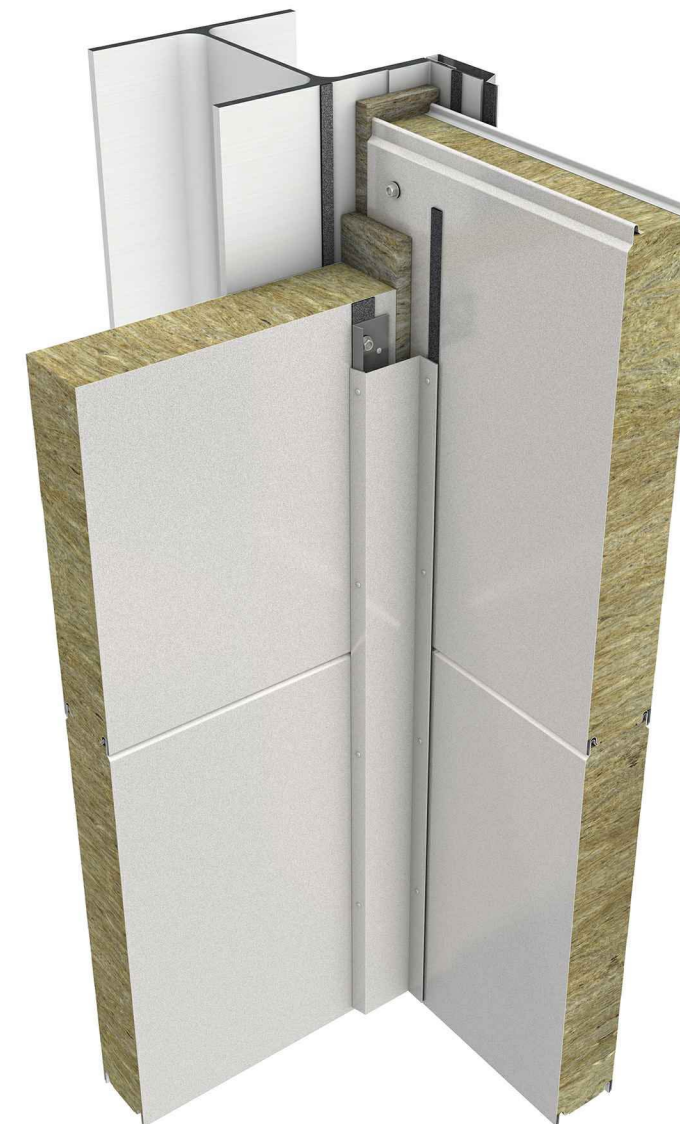
- FIRE - fire-resistant system
- FOOGIENE - food & hygiene system
- BASE - backing-wall system

APPLICATION

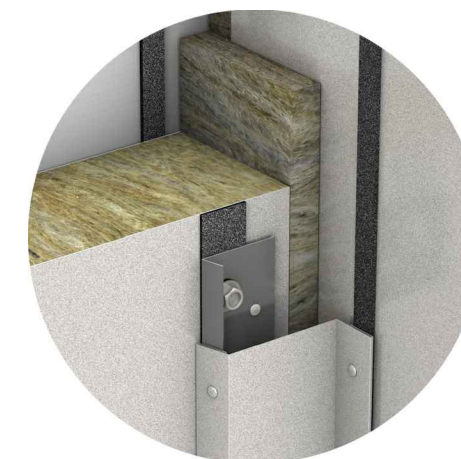
- External Facade + External Soffit
- Internal Wall + Internal Ceiling
- Flat Roof Pitched Roof

TRIMOTERM FTV

DETAIL VIEW



CLOSE VIEW



ADVANTAGES

- Fire safety
- Span distance
- Tolerances flexibility
- Prefabrication
- Simplicity
- BIM support

INTERNAL CORNER

Trimo Group holds full copyrights on the information and details provided on this media, therefore any unauthorized reproduction and distribution is strictly prohibited.



HORIZONTAL INSTALLATION

FUNCTION

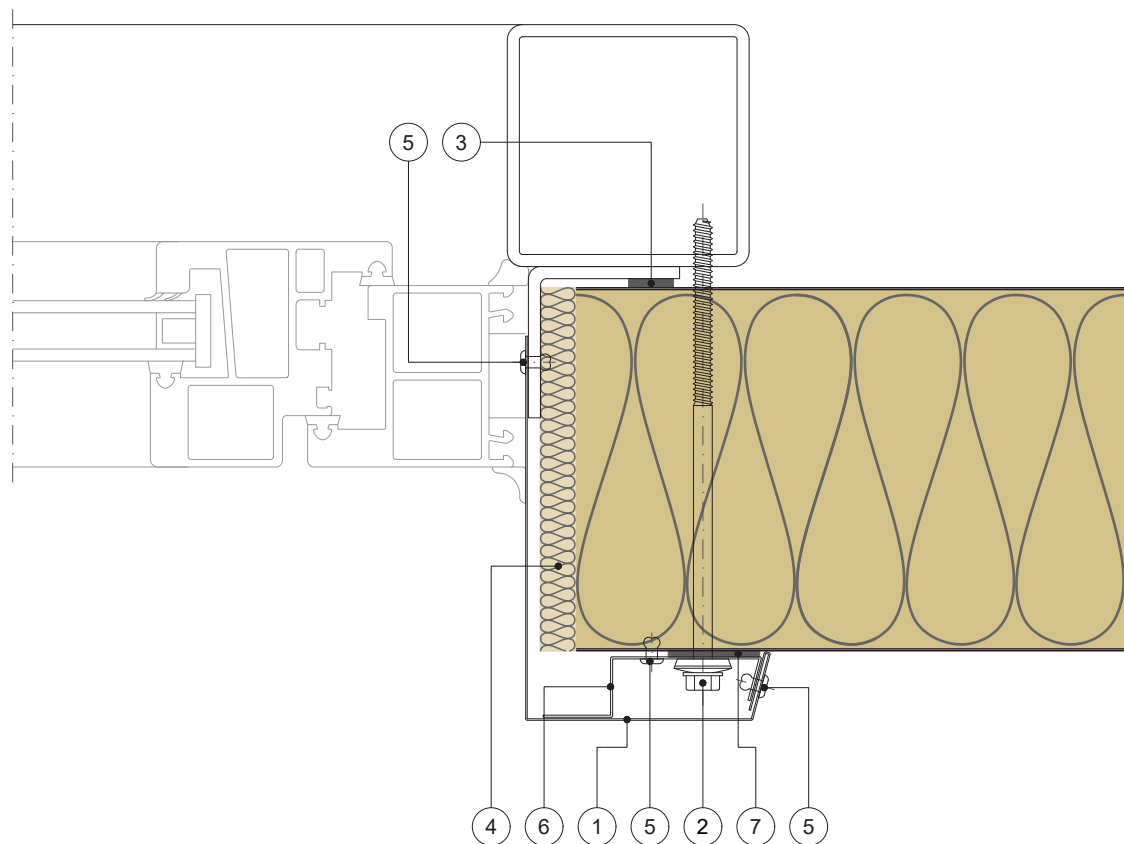
- FIRE - fire-resistant system
- FOOGIENE - food & hygiene system
- BASE - backing-wall system

APPLICATION

- External Facade
- Internal Wall
- Flat Roof
- External Soffit
- Internal Ceiling
- Pitched Roof

TRIMOTERM FTV

HORIZONTAL CUT



POS.	ELEMENT	SCALE: M 1:2.5
1	Jamb flashing	
2	Fixing screw	
3	Self adhesive sealing tape PE	
4	Thermal insulation	
5	Blind rivet	
6	Flashing support	
7	Self adhesive sealing tape EPDM	



HORIZONTAL INSTALLATION

FUNCTION

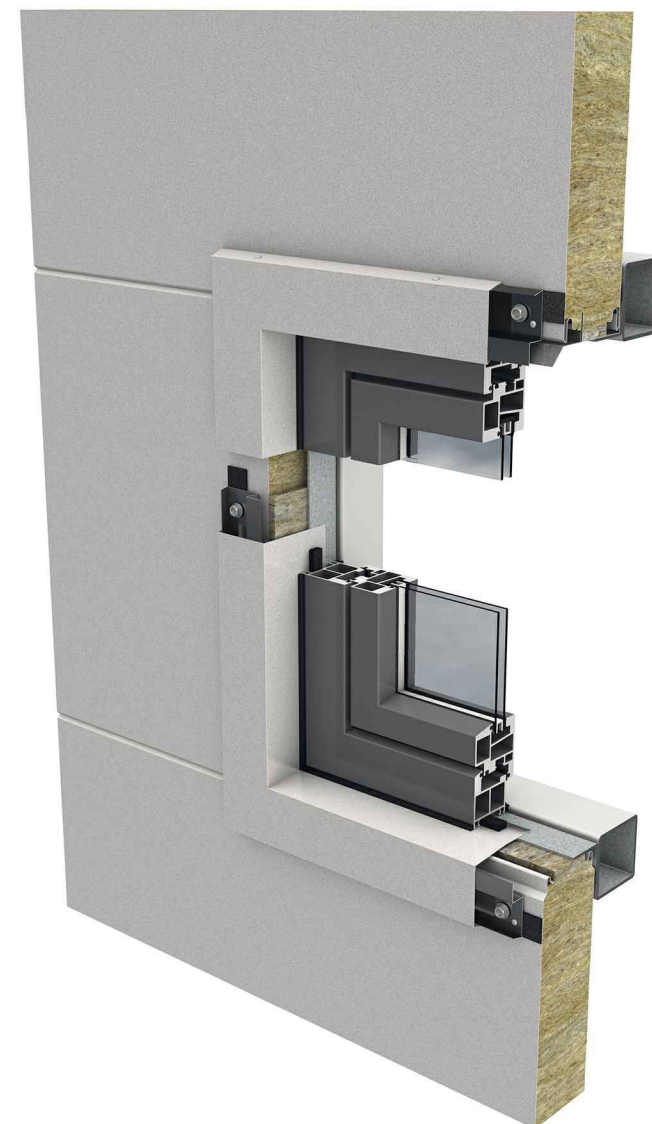
- FIRE - fire-resistant system
- FOOGIENE - food & hygiene system
- BASE - backing-wall system

APPLICATION

- External Facade
- Internal Wall
- Flat Roof
- External Soffit
- Internal Ceiling
- Pitched Roof

TRIMOTERM FTV

DETAIL VIEW



CLOSE VIEW



ADVANTAGES

- Fire safety
- Tolerances flexibility
- Prefabrication
- Simplicity
- BIM support



HORIZONTAL INSTALLATION

FUNCTION

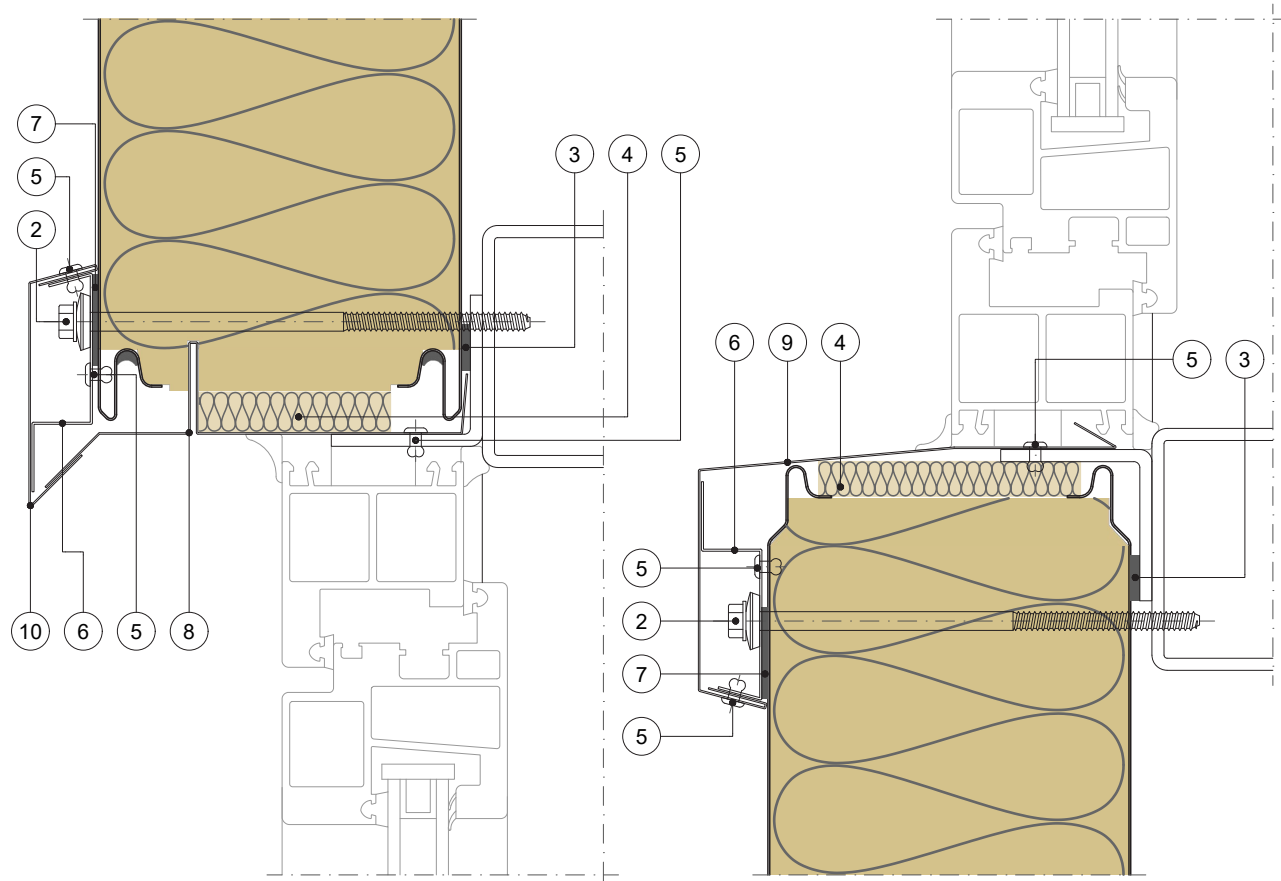
- FIRE - fire-resistant system
- FOOGIENE - food & hygiene system
- BASE - backing-wall system

APPLICATION

- External Facade
- Internal Wall
- Flat Roof
- External Soffit
- Internal Ceiling
- Pitched Roof

TRIMOTERM FTV

VERTICAL CUT



POS.	ELEMENT	SCALE: M 1:2.5
2	Fixing screw	
3	Self adhesive sealing tape PE	
4	Thermal insulation	
5	Blind rivet	
6	Flashing support	
7	Self adhesive sealing tape EPDM	
8	Window head drip flashing	
9	Window sill drip flashing	
10	Drip flashing mask	

WINDOW

Trimo Group holds full copyrights on the information and details provided on this media, therefore any unauthorized reproduction and distribution is strictly prohibited.



HORIZONTAL INSTALLATION

FUNCTION

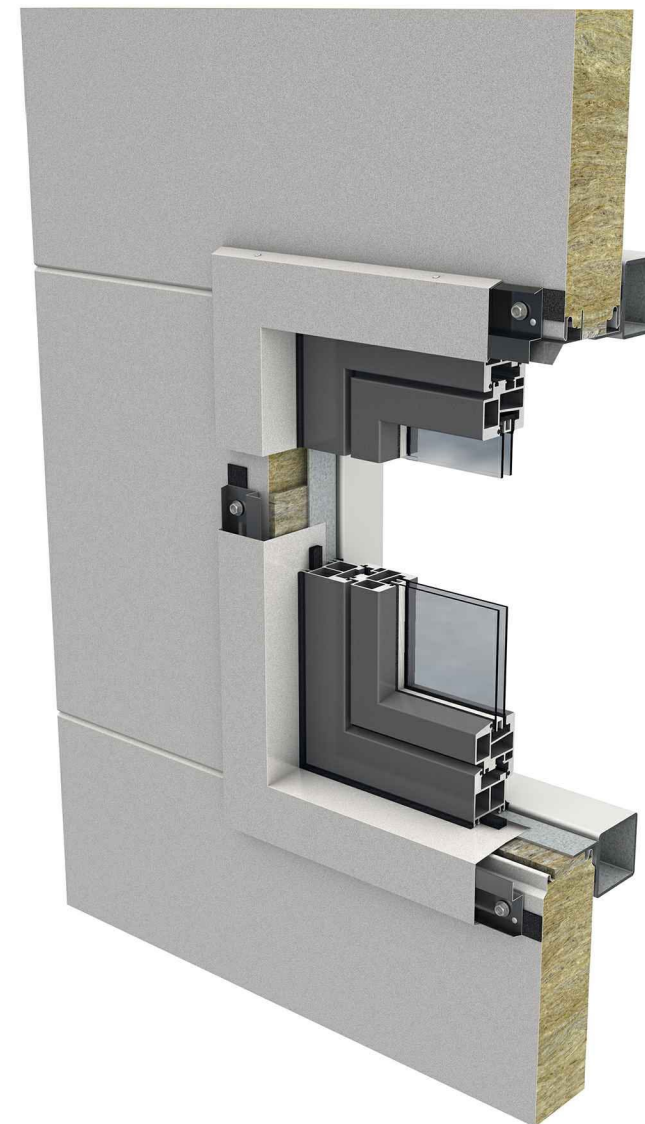
- FIRE - fire-resistant system
- FOOGIENE - food & hygiene system
- BASE - backing-wall system

APPLICATION

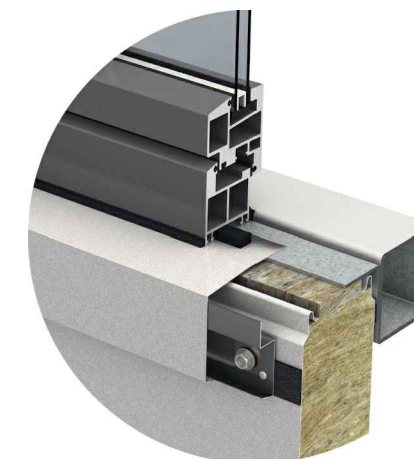
- External Facade
- Internal Wall
- Flat Roof
- External Soffit
- Internal Ceiling
- Pitched Roof

TRIMOTERM FTV

DETAIL VIEW



CLOSE VIEW



ADVANTAGES

- Fire safety
- Tolerances flexibility
- Prefabrication
- Simplicity
- BIM support

WINDOW

Trimo Group holds full copyrights on the information and details provided on this media, therefore any unauthorized reproduction and distribution is strictly prohibited.



HORIZONTAL INSTALLATION

FUNCTION

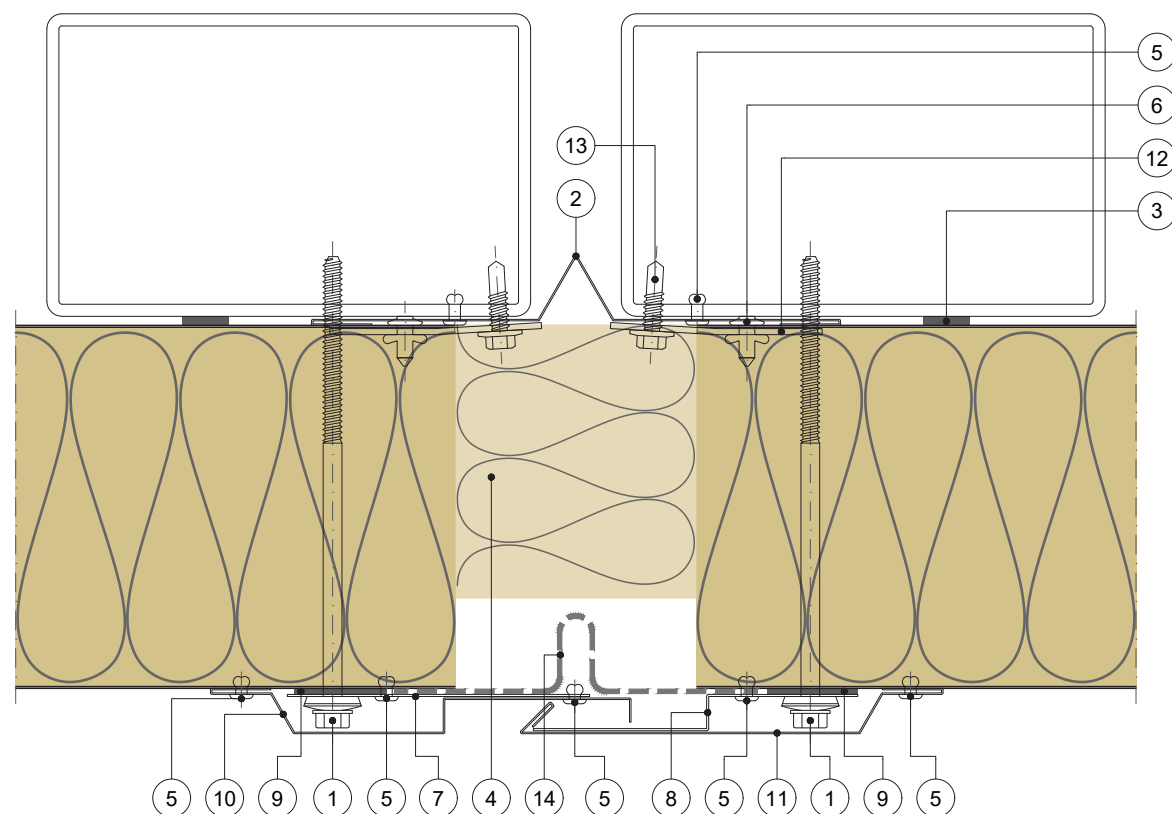
- FIRE - fire-resistant system
- FOOGIENE - food & hygiene system
- BASE - backing-wall system

APPLICATION

- External Facade
- Internal Wall
- Flat Roof
- External Soffit
- Internal Ceiling
- Pitched Roof

TRIMOTERM FTV

HORIZONTAL CUT



POS.	ELEMENTS	SCALE: M 1:2.5
1	Fixing screw	
2	Dilatation flashing - internal	
3	Self adhesive sealing tape PE	
4	Thermal insulation	
5	Blind rivet	
6	Bulb tite rivet	
7	Flashing support A	
8	Flashing support B	
9	Self adhesive sealing tape EPDM	
10	Dilatation flashing - external A	
11	Dilatation flashing - external B	
12	Fixing element	
13	Fixing screw	
14	Vapour permable EPDM foil	

DILATATION

Trimo Group holds full copyrights on the information and details provided on this media, therefore any unauthorized reproduction and distribution is strictly prohibited.



HORIZONTAL INSTALLATION

FUNCTION

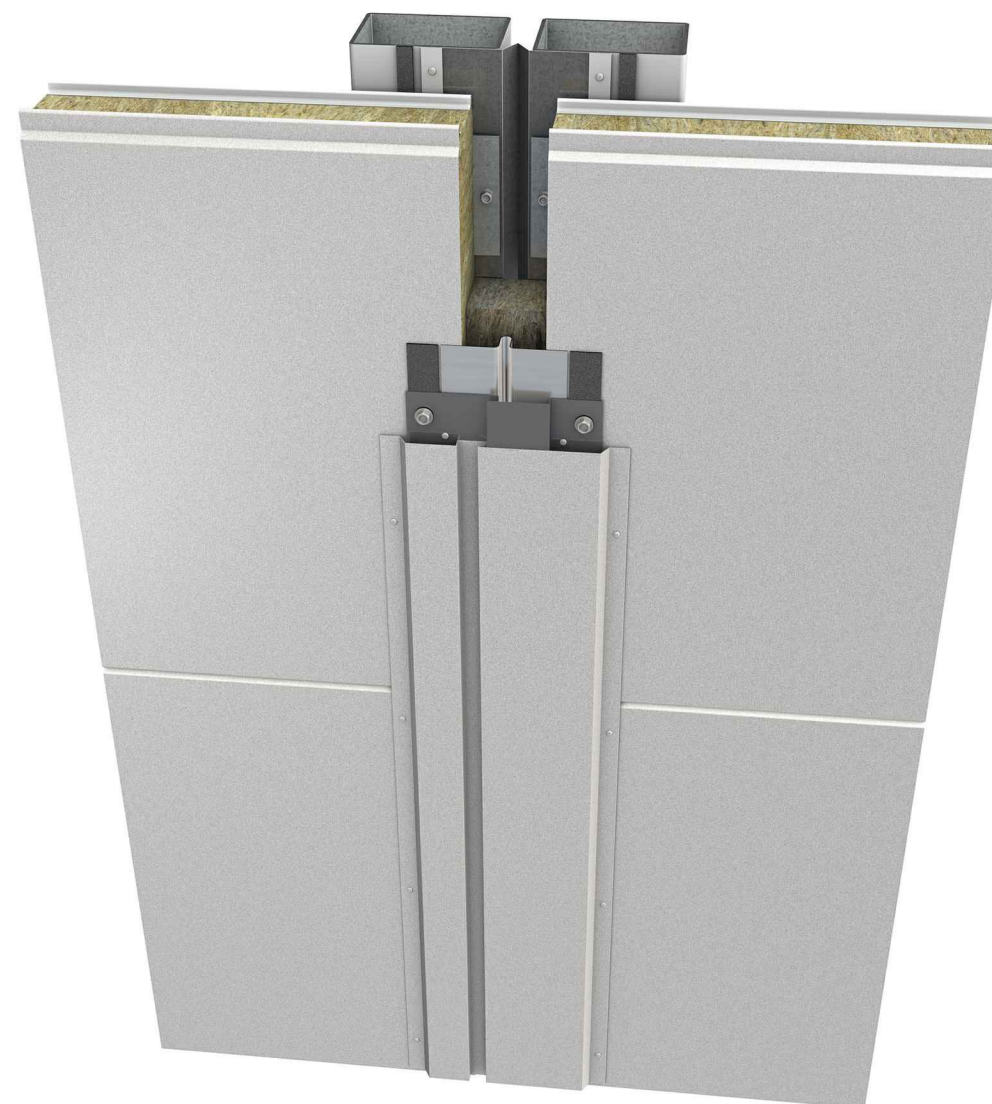
- FIRE - fire-resistant system
- FOOGIENE - food & hygiene system
- BASE - backing-wall system

APPLICATION

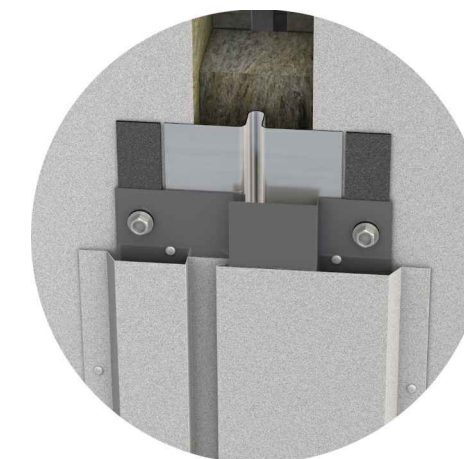
- External Facade
- Internal Wall
- Flat Roof
- External Soffit
- Internal Ceiling
- Pitched Roof

TRIMOTERM FTV

DETAIL VIEW



CLOSE VIEW



ADVANTAGES

- Span distance
- Fast installation
- Tolerances flexibility
- Prefabrication
- Simplicity
- BIM support

DILATATION

Trimo Group holds full copyrights on the information and details provided on this media, therefore any unauthorized reproduction and distribution is strictly prohibited.



HORIZONTAL INSTALLATION

FUNCTION

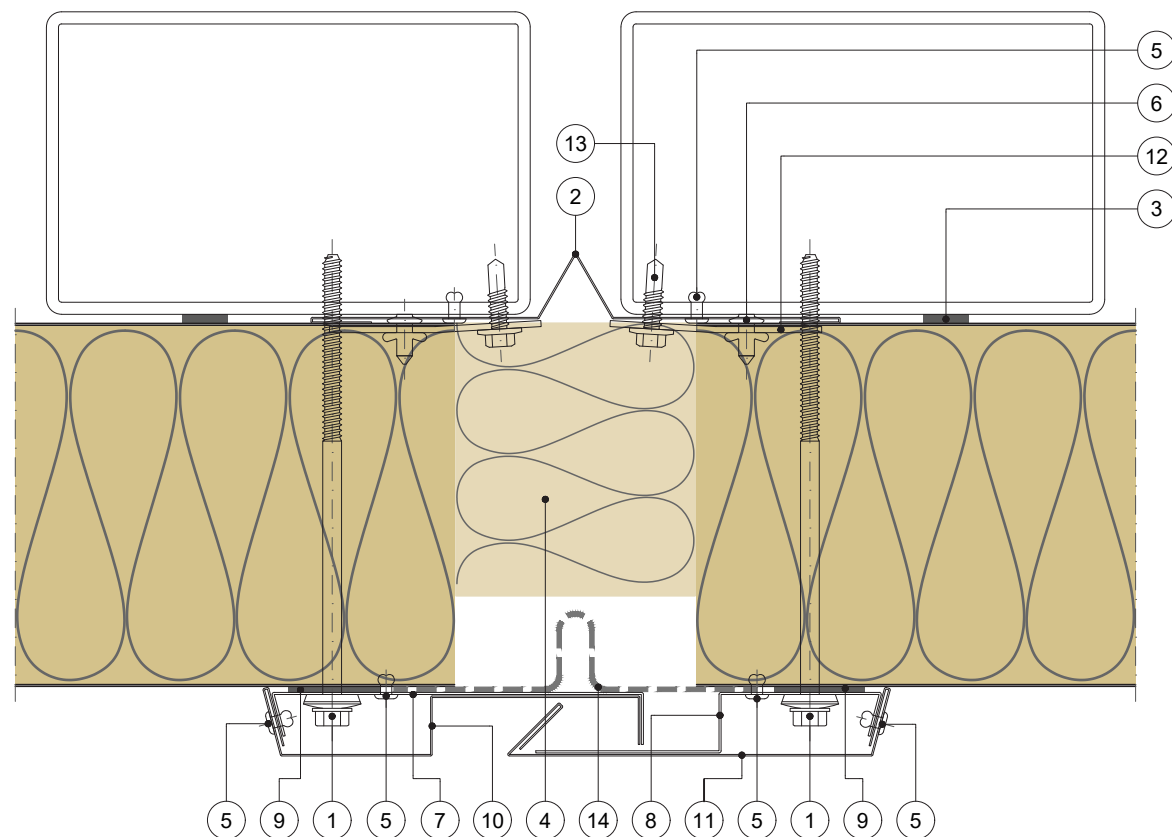
- FIRE - fire-resistant system
- FOOGIENE - food & hygiene system
- BASE - backing-wall system

APPLICATION

- External Facade + External Soffit
- Internal Wall + Internal Ceiling
- Flat Roof Pitched Roof

TRIMOTERM FTV

HORIZONTAL CUT



POS.	ELEMENTS	SCALE: M 1:2.5
1	Fixing screw	
2	Dilatation flashing - internal	
3	Self adhesive sealing tape PE	
4	Thermal insulation	
5	Blind rivet	
6	Bulb tite rivet	
7	Flashing support A	
8	Flashing support B	
9	Self adhesive sealing tape EPDM	
10	Dilatation flashing - external A	
11	Dilatation flashing - external B	
12	Fixing element	
13	Fixing screw	
14	Vapour permable EPDM foil	

DILATATION

Trimo Group holds full copyrights on the information and details provided on this media, therefore any unauthorized reproduction and distribution is strictly prohibited.



HORIZONTAL INSTALLATION

FUNCTION

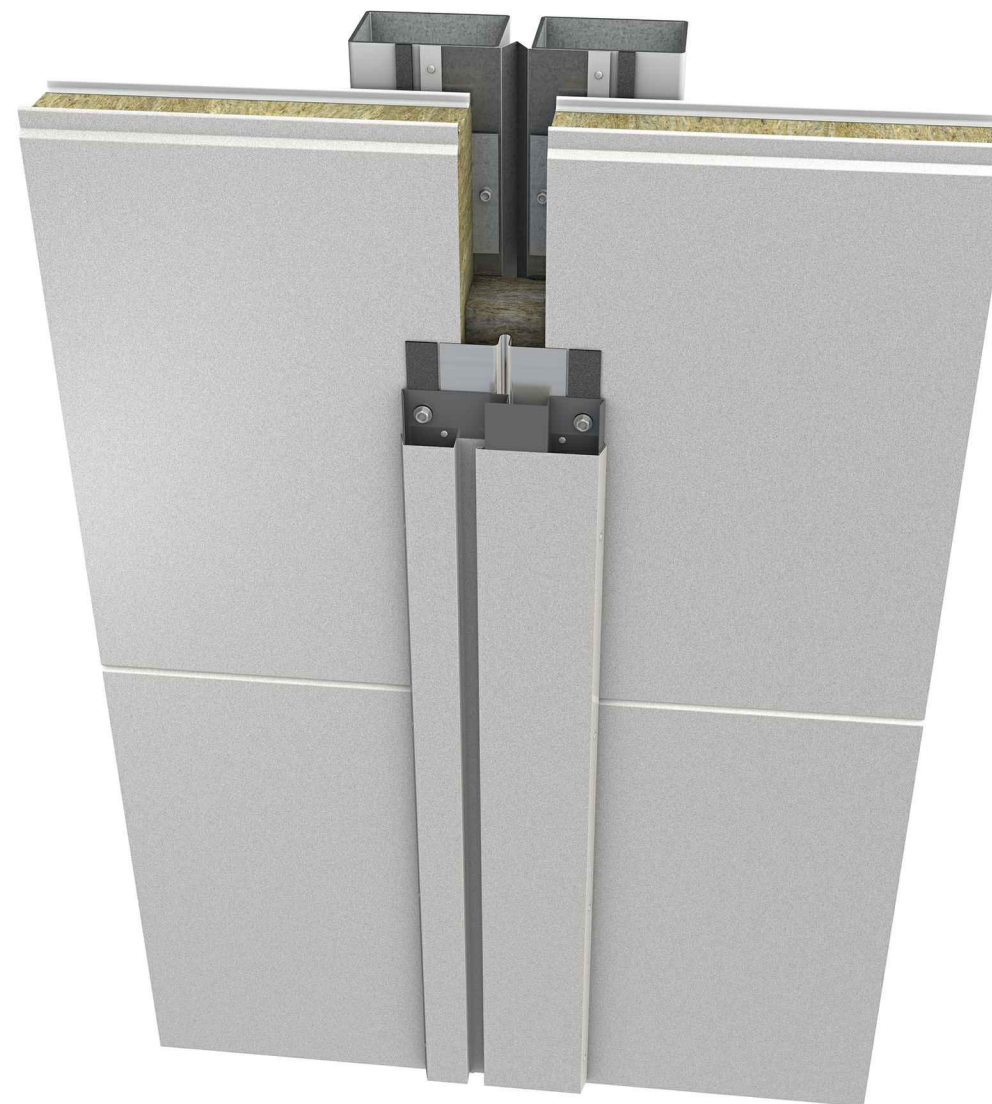
- FIRE - fire-resistant system
- FOOGIENE - food & hygiene system
- BASE - backing-wall system

APPLICATION

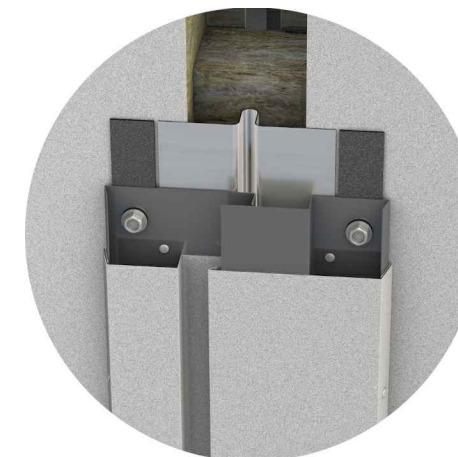
- External Facade + External Soffit
- Internal Wall + Internal Ceiling
- Flat Roof Pitched Roof

TRIMOTERM FTV

DETAIL VIEW



CLOSE VIEW



ADVANTAGES

- Span distance
- Tolerances flexibility
- Prefabrication
- Simplicity
- BIM support

DILATATION

Trimo Group holds full copyrights on the information and details provided on this media, therefore any unauthorized reproduction and distribution is strictly prohibited.



HORIZONTAL INSTALLATION

FUNCTION

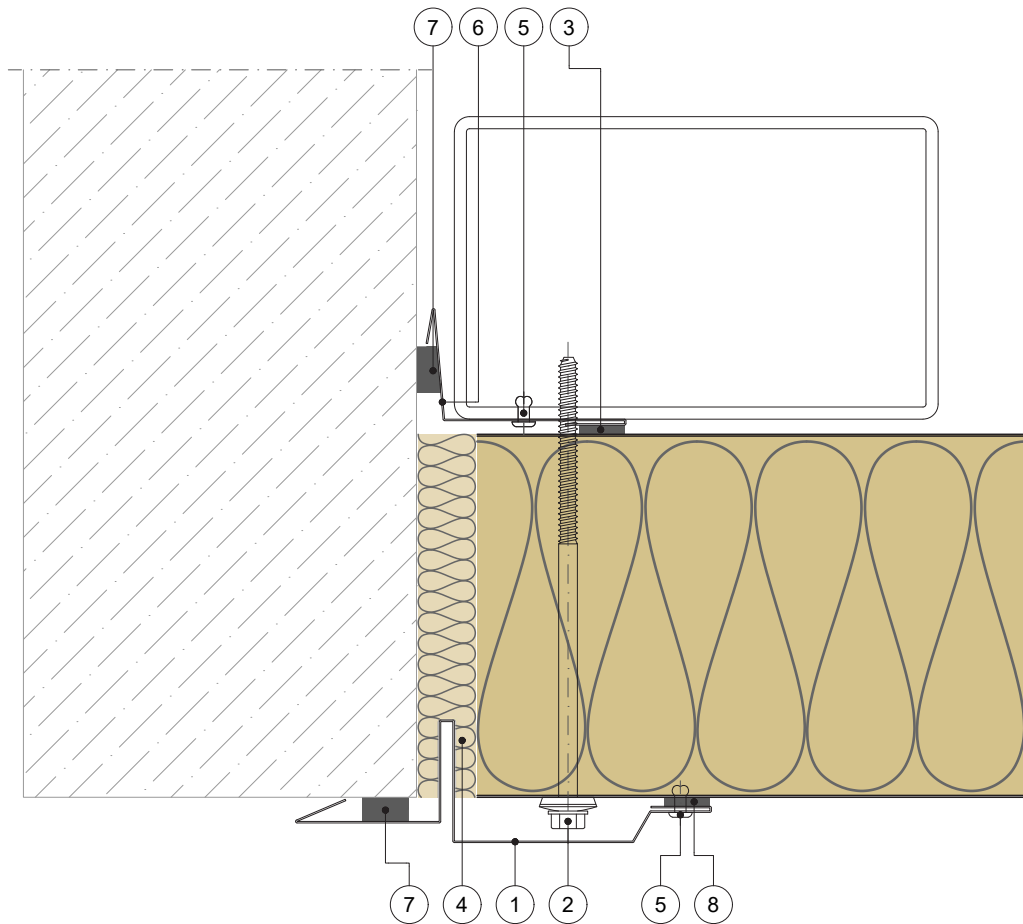
- FIRE - fire-resistant system
- FOOGIENE - food & hygiene system
- BASE - backing-wall system

APPLICATION

- External Facade
- Internal Wall
- Flat Roof
- + External Soffit
- + Internal Ceiling
- Pitched Roof

TRIMOTERM FTV

HORIZONTAL CUT



POS.	ELEMENTS	SCALE: M 1:2.5
1	Joint flashing	
2	Fixing screw	
3	Self adhesive sealing tape PE	
4	Thermal insulation	
5	Blind rivet	
6	Internal flashing	
7	Self adhesive pre compressed sealing tape	
8	Self adhesive sealing tape EPDM	

OTHER SYSTEM CONNECTION

Trimo Group holds full copyrights on the information and details provided on this media, therefore any unauthorized reproduction and distribution is strictly prohibited.



HORIZONTAL INSTALLATION

FUNCTION

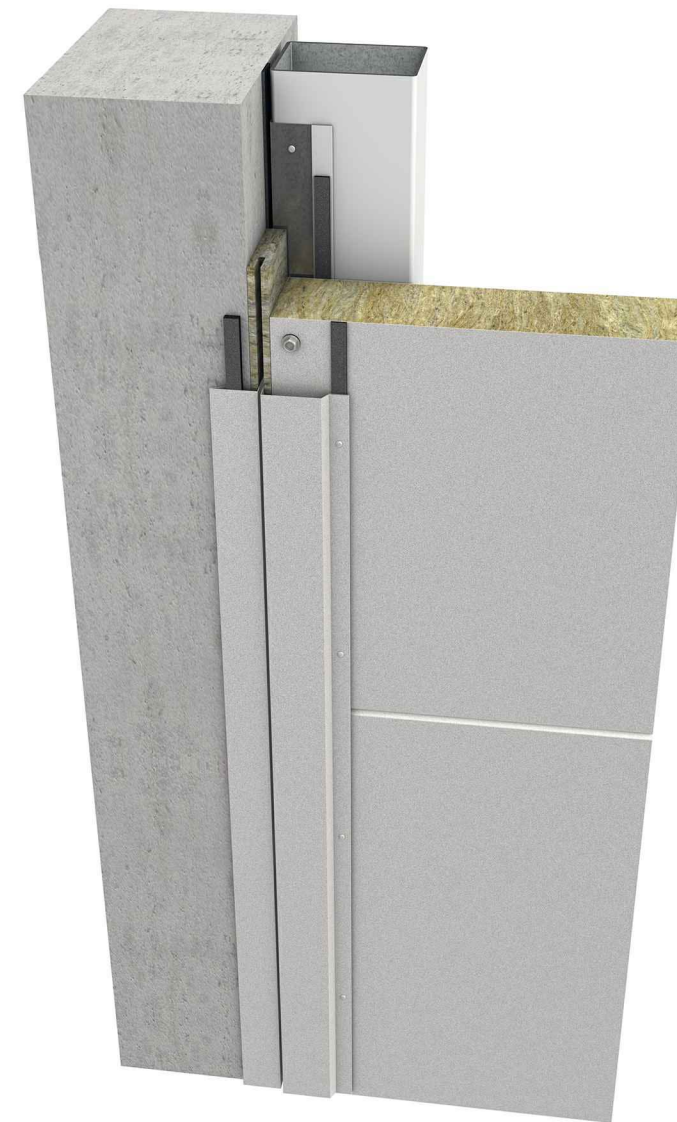
- FIRE - fire-resistant system
- FOOGIENE - food & hygiene system
- BASE - backing-wall system

APPLICATION

- External Facade
- Internal Wall
- Flat Roof
- + External Soffit
- + Internal Ceiling
- Pitched Roof

TRIMOTERM FTV

DETAIL VIEW



CLOSE VIEW



ADVANTAGES

- Fire safety
- Span distance
- Fast installation
- Tolerances flexibility
- Prefabrication
- Simplicity
- BIM support

OTHER SYSTEM CONNECTION

Trimo Group holds full copyrights on the information and details provided on this media, therefore any unauthorized reproduction and distribution is strictly prohibited.



HORIZONTAL INSTALLATION

FUNCTION

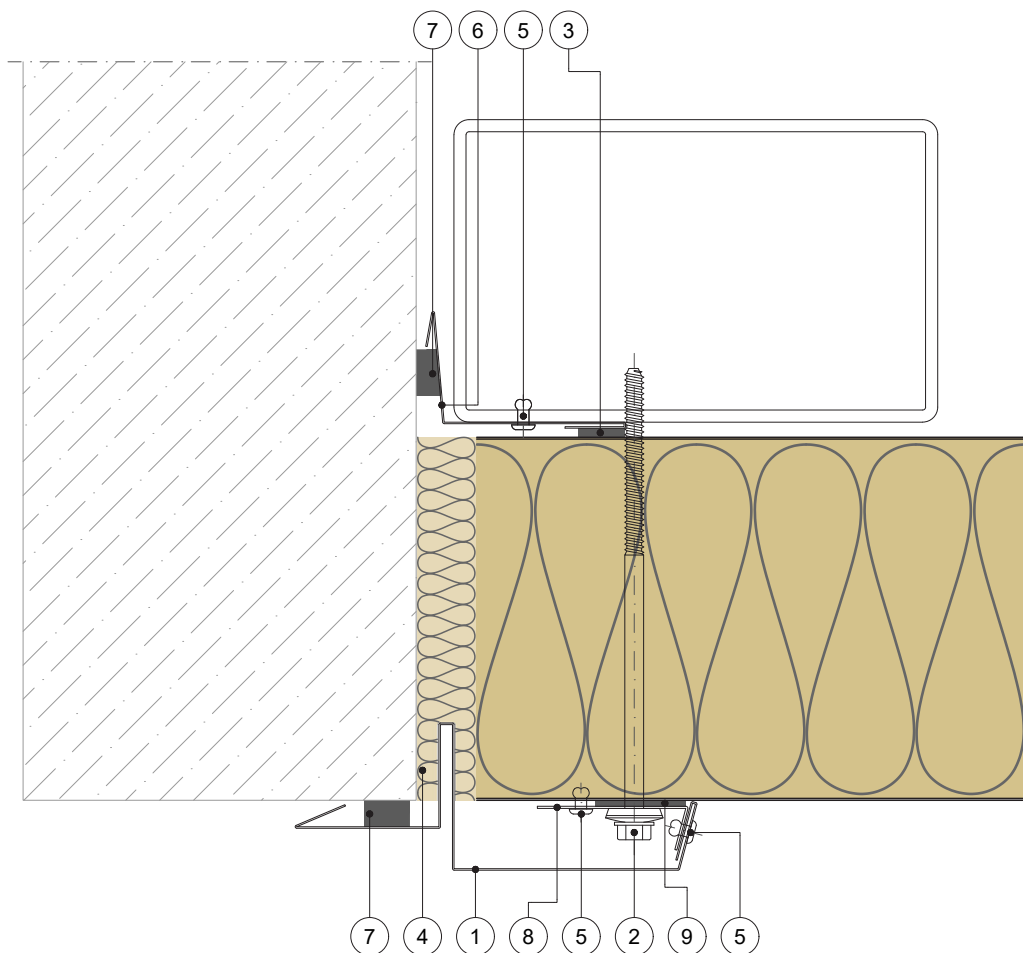
- FIRE - fire-resistant system
- FOOGIENE - food & hygiene system
- BASE - backing-wall system

APPLICATION

- External Facade + External Soffit
- Internal Wall + Internal Ceiling
- Flat Roof Pitched Roof

TRIMOTERM FTV

HORIZONTAL CUT



POS.	ELEMENTS	SCALE: M 1:2.5
1	Joint flashing	
2	Fixing screw	
3	Self adhesive sealing tape PE	
4	Thermal insulation	
5	Blind rivet	
6	Internal flashing	
7	Self adhesive pre compressed sealing tape	
8	Flashing support	
9	Self adhesive sealing tape EPDM	

OTHER SYSTEM CONNECTION

Trimo Group holds full copyrights on the information and details provided on this media, therefore any unauthorized reproduction and distribution is strictly prohibited.



HORIZONTAL INSTALLATION

FUNCTION

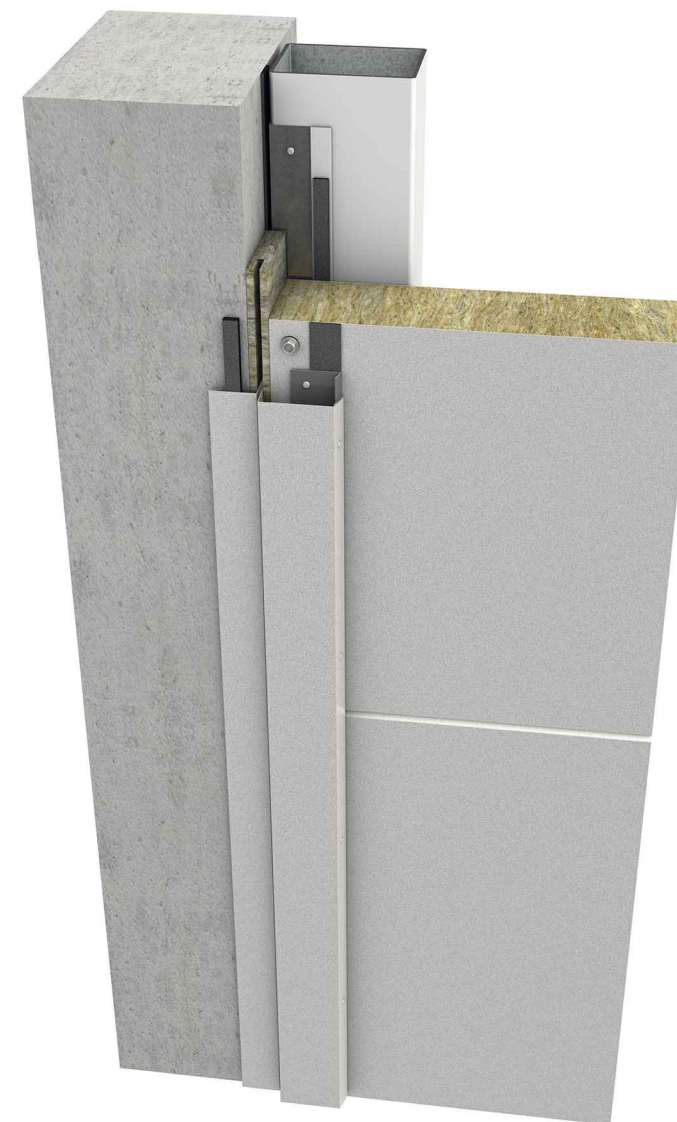
- FIRE - fire-resistant system
- FOOGIENE - food & hygiene system
- BASE - backing-wall system

APPLICATION

- External Facade + External Soffit
- Internal Wall + Internal Ceiling
- Flat Roof Pitched Roof

TRIMOTERM FTV

DETAIL VIEW



CLOSE VIEW



ADVANTAGES

- Fire safety
- Span distance
- Tolerances flexibility
- Prefabrication
- BIM support

OTHER SYSTEM CONNECTION

Trimo Group holds full copyrights on the information and details provided on this media, therefore any unauthorized reproduction and distribution is strictly prohibited.



VERTICAL INSTALLATION

TRIMOTERM FTV

FUNCTION

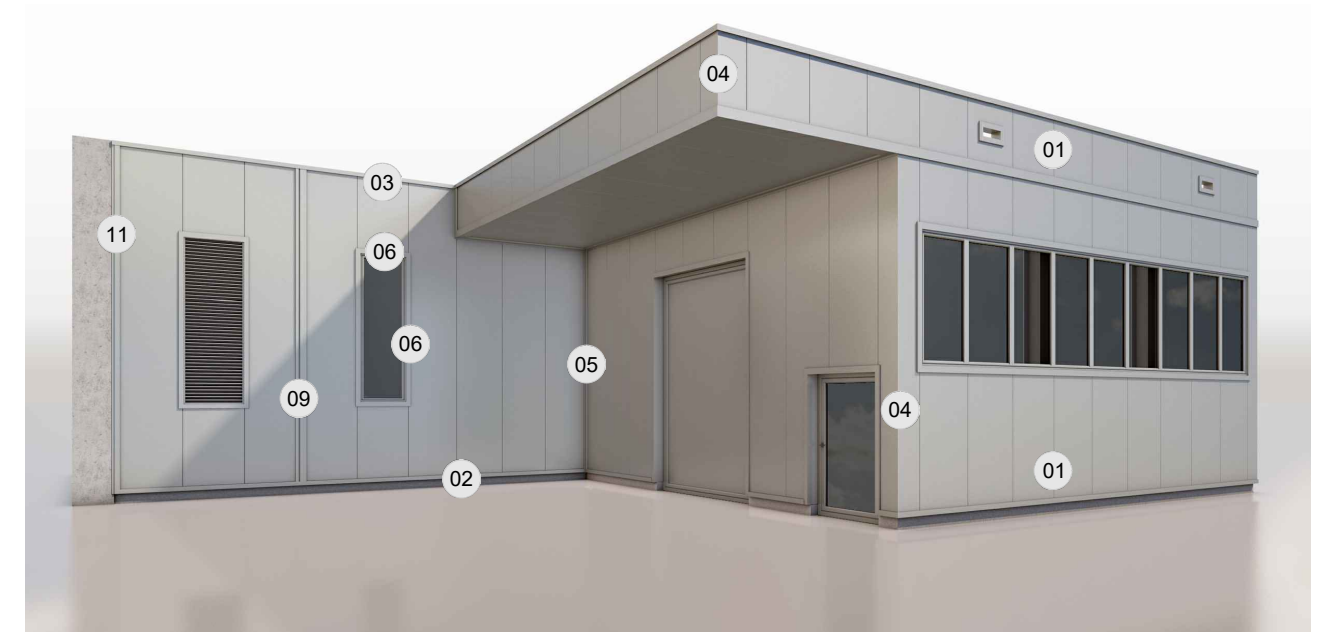
- FIRE - fire-resistant system
- FOOGIENE - food & hygiene system
- BASE - backing-wall system

APPLICATION

- External Facade
- Internal Wall
- Flat Roof
- External Soffit
- Internal Ceiling
- Pitched Roof

- CAD download centre
- BIM download centre

- TE-V-01 JOINT
- TE-V-02 BASE
- TE-V-03 PARAPET
- TE-V-04 EXTERNAL CORNER
- TE-V-05 INTERNAL CORNER
- TE-V-06 WINDOW
- TE-V-09 DILATATION
- TE-V-11 OTHER SYSTEM CONNECTION



VERSION: | EN 14.02.2024 | TID10DT101EN

SCHEME

Trimo Group holds full copyrights on the information and details provided on this media, therefore any unauthorized reproduction and distribution is strictly prohibited.



VERTICAL INSTALLATION

TRIMOTERM FTV

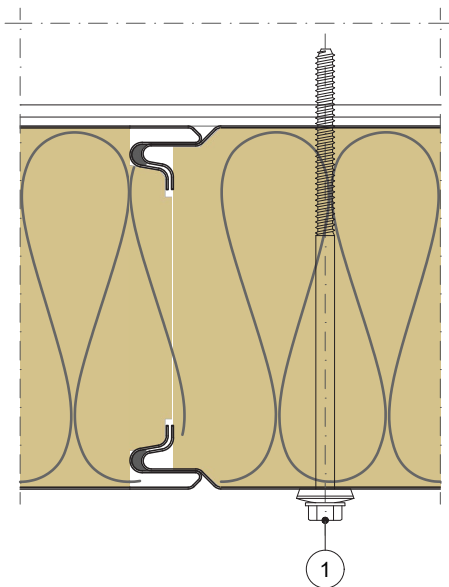
FUNCTION

- FIRE - fire-resistant system
- FOOGIENE - food & hygiene system
- BASE - backing-wall system

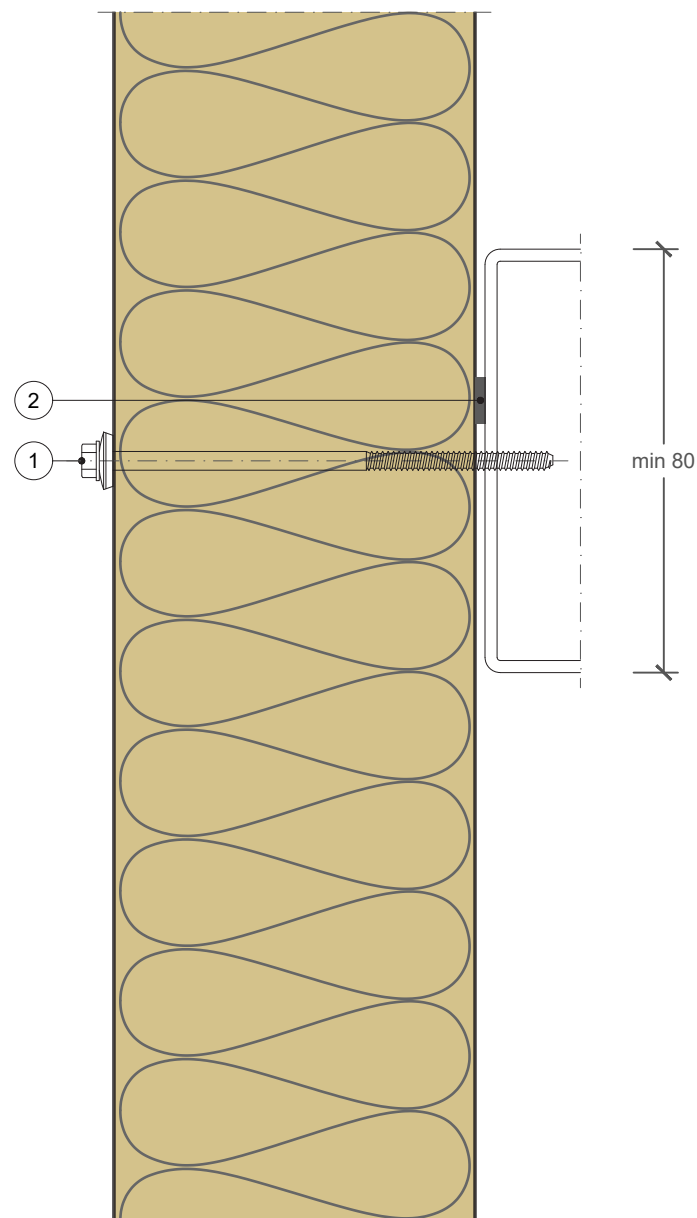
APPLICATION

- External Facade
- Internal Wall
- Flat Roof
- + External Soffit
- + Internal Ceiling
- Pitched Roof

HORIZONTAL CUT



VERTICAL CUT



POS.	ELEMENT	SCALE: M 1:2.5
1	Fixing screw	
2	Self adhesive sealing tape PE	

JOINT

Trimo Group holds full copyrights on the information and details provided on this media, therefore any unauthorized reproduction and distribution is strictly prohibited.



VERTICAL INSTALLATION

TRIMOTERM FTV

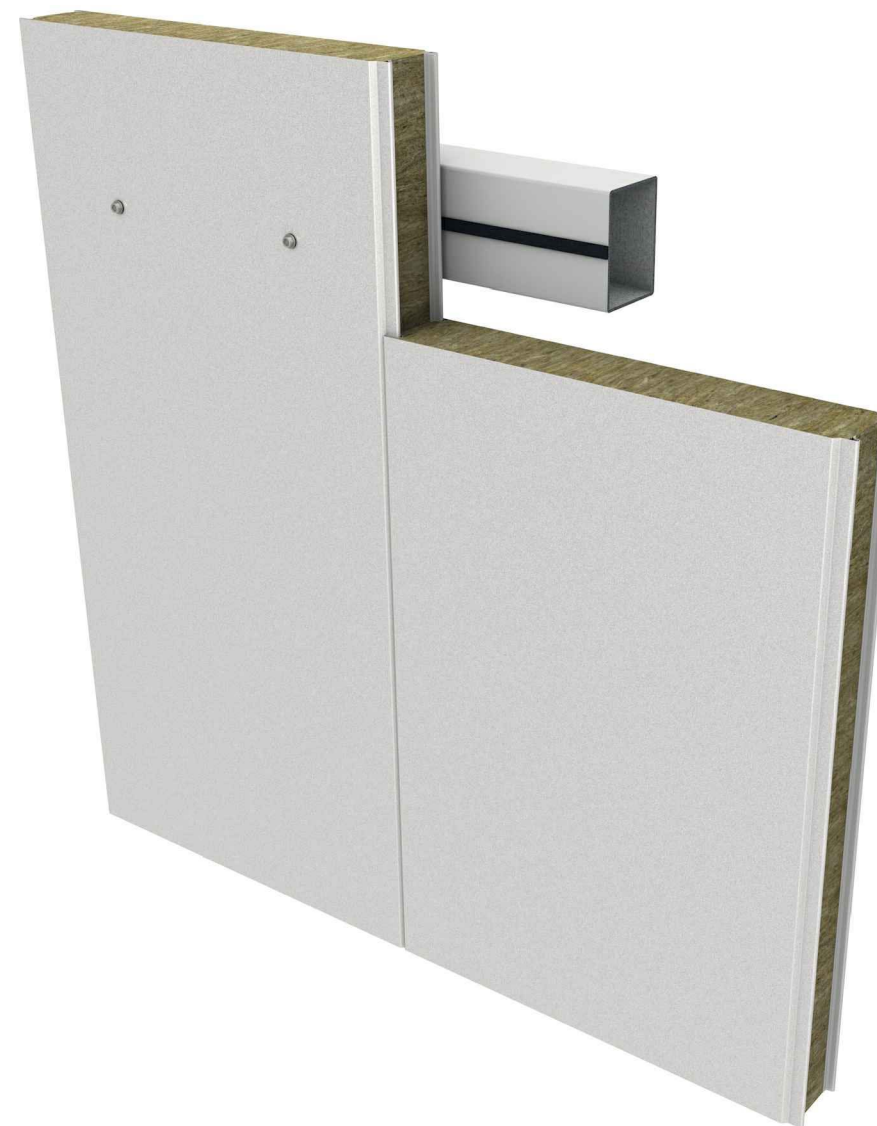
FUNCTION

- FIRE - fire-resistant system
- FOOGIENE - food & hygiene system
- BASE - backing-wall system

APPLICATION

- External Facade
- Internal Wall
- Flat Roof
- + External Soffit
- + Internal Ceiling
- Pitched Roof

DETAIL VIEW



CLOSE VIEW



ADVANTAGES

- Fire safety
- Span distance
- Fast installation
- Prefabrication
- Simplicity
- BIM support

JOINT

Trimo Group holds full copyrights on the information and details provided on this media, therefore any unauthorized reproduction and distribution is strictly prohibited.



VERTICAL INSTALLATION

FUNCTION

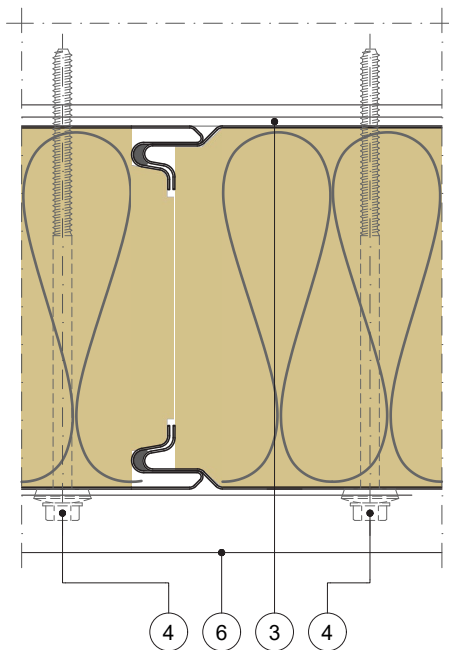
- FIRE - fire-resistant system
- FOOGIENE - food & hygiene system
- BASE - backing-wall system

APPLICATION

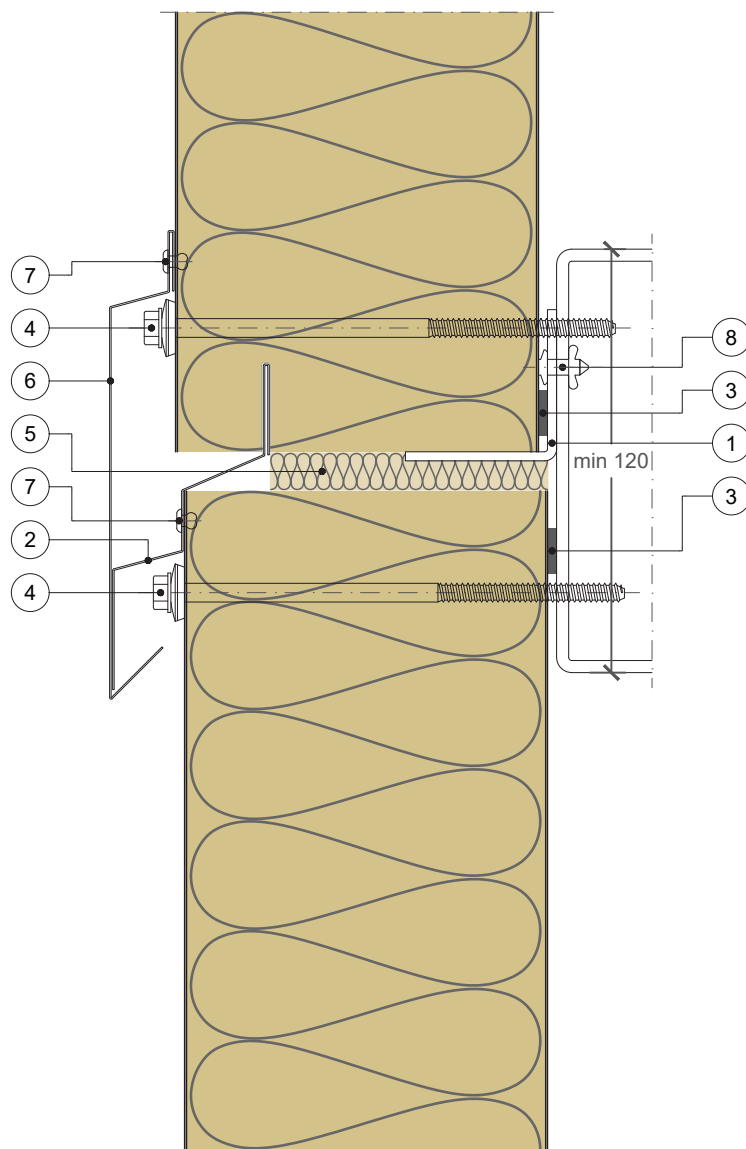
- External Facade
- Internal Wall
- Flat Roof
- External Soffit
- Internal Ceiling
- Pitched Roof

TRIMOTERM FTV

HORIZONTAL CUT



VERTICAL CUT



POS.	ELEMENT	SCALE: M 1:2.5
1	Panel support profile	
2	Drip flashing	
3	Self adhesive sealing tape PE	
4	Fixing screw	
5	Thermal insulation	
6	Drip flashing mask	
7	Blind rivet	
8	Bulb tite rivet	

JOINT

Trimo Group holds full copyrights on the information and details provided on this media, therefore any unauthorized reproduction and distribution is strictly prohibited.



VERTICAL INSTALLATION

FUNCTION

- FIRE - fire-resistant system
- FOOGIENE - food & hygiene system
- BASE - backing-wall system

APPLICATION

- External Facade
- Internal Wall
- Flat Roof
- External Soffit
- Internal Ceiling
- Pitched Roof

TRIMOTERM FTV

DETAIL VIEW



CLOSE VIEW



ADVANTAGES

- Fire safety
- Span distance
- Fast installation
- Tolerances flexibility
- Prefabrication
- Simplicity
- BIM support

JOINT

Trimo Group holds full copyrights on the information and details provided on this media, therefore any unauthorized reproduction and distribution is strictly prohibited.



VERTICAL INSTALLATION

TRIMOTERM FTV

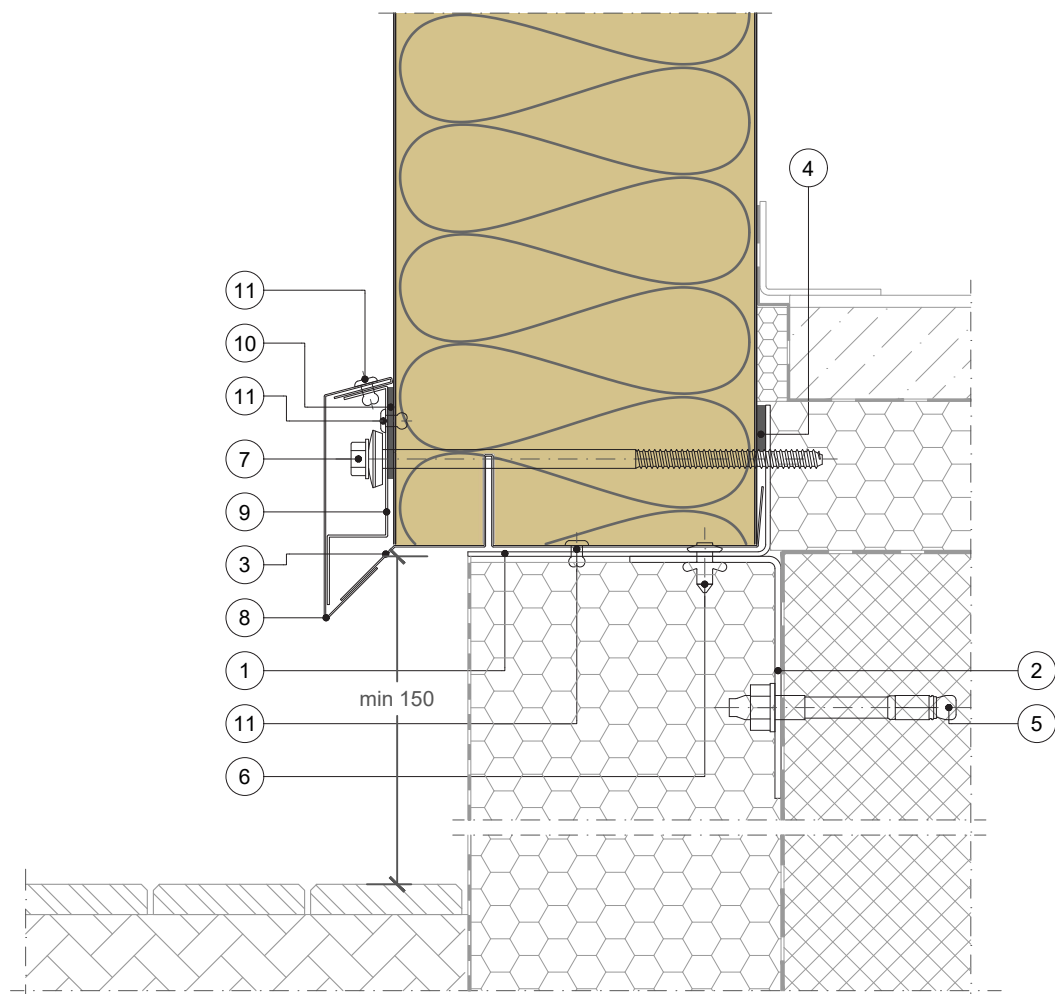
FUNCTION

- FIRE - fire-resistant system
- FOOGIENE - food & hygiene system
- BASE - backing-wall system

APPLICATION

- External Facade
- Internal Wall
- Flat Roof
- External Soffit
- Internal Ceiling
- Pitched Roof

VERTICAL CUT



POS.	ELEMENT	SCALE: M 1:2.5
1	Panel support profile	
2	Fixing profile	
3	Drip flashing	
4	Self adhesive sealing tape PE	
5	Anchor bolt	
6	Bulb tite rivet	
7	Fixing screw	
8	Drip flashing mask	
9	Drip flashing mask support	
10	Self adhesive sealing tape EPDM	
11	Blind rivet	

BASE

Trimo Group holds full copyrights on the information and details provided on this media, therefore any unauthorized reproduction and distribution is strictly prohibited.



VERTICAL INSTALLATION

TRIMOTERM FTV

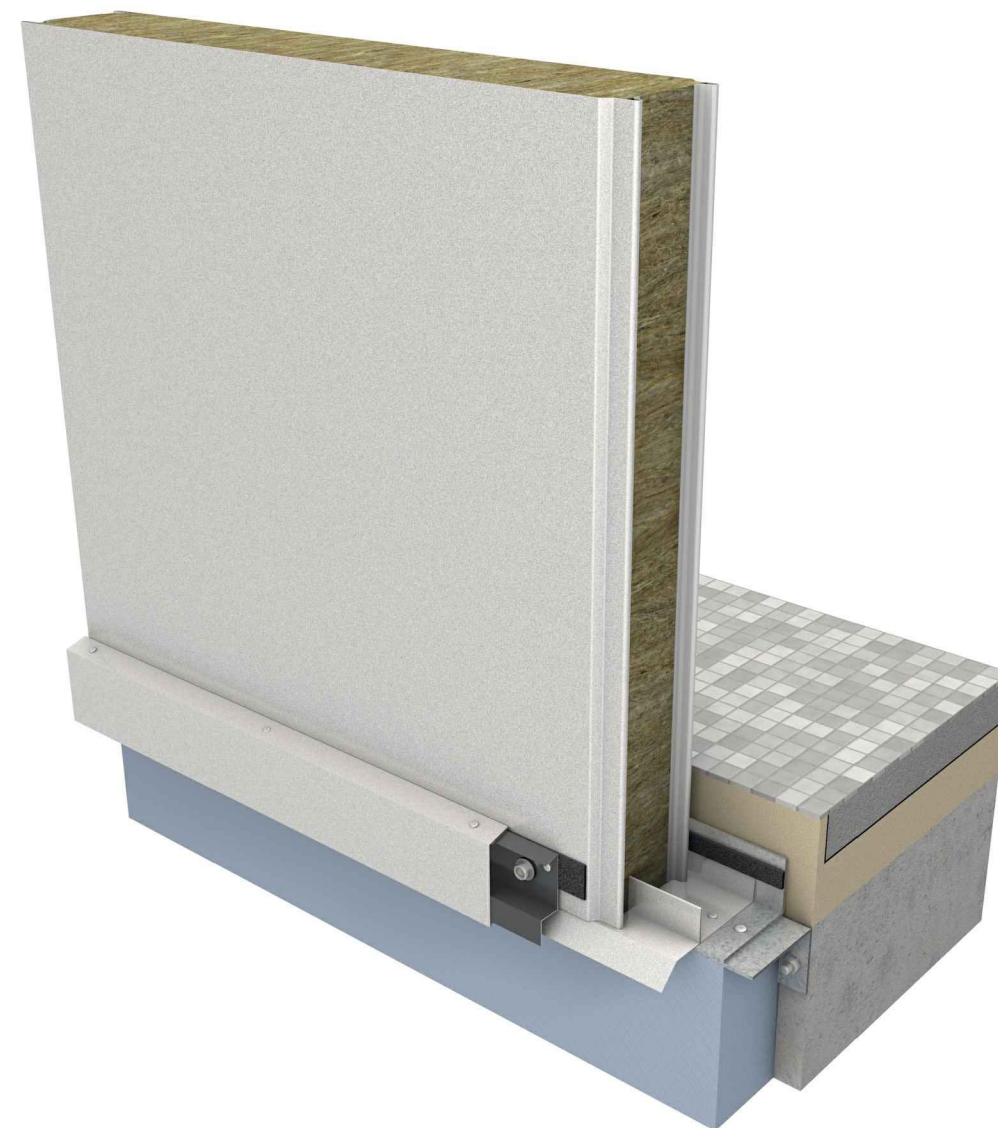
FUNCTION

- FIRE - fire-resistant system
- FOOGIENE - food & hygiene system
- BASE - backing-wall system

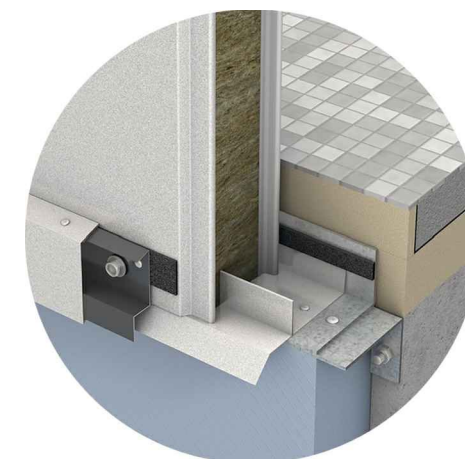
APPLICATION

- External Facade
- Internal Wall
- Flat Roof
- External Soffit
- Internal Ceiling
- Pitched Roof

DETAIL VIEW



CLOSE VIEW



ADVANTAGES

- Fire safety
- Tolerances flexibility
- Prefabrication
- Simplicity
- BIM support

BASE

Trimo Group holds full copyrights on the information and details provided on this media, therefore any unauthorized reproduction and distribution is strictly prohibited.



VERTICAL INSTALLATION

TRIMOTERM FTV

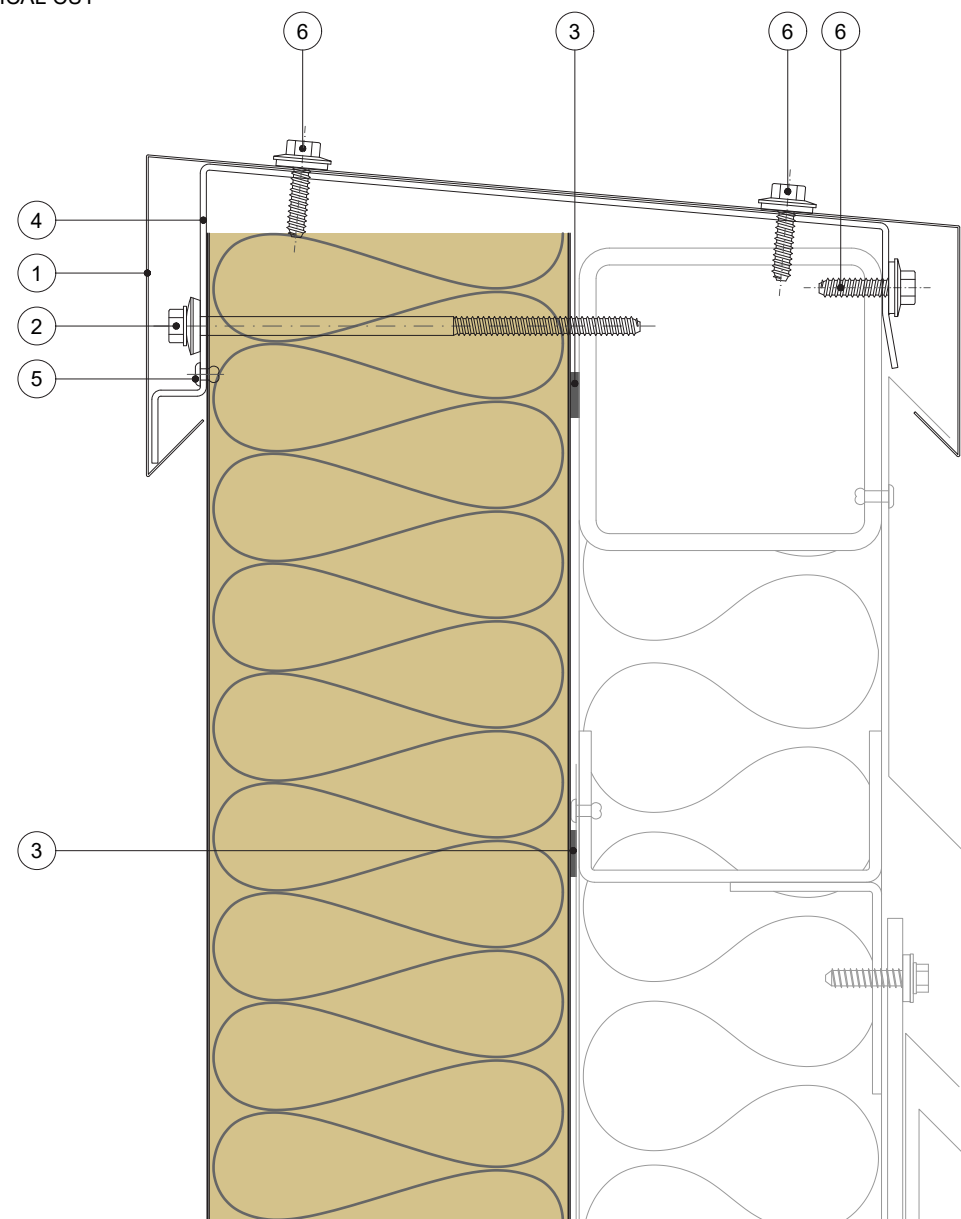
FUNCTION

- FIRE - fire-resistant system
- FOOGIENE - food & hygiene system
- BASE - backing-wall system

APPLICATION

- External Facade
- Internal Wall
- Flat Roof
- + External Soffit
- + Internal Ceiling
- Pitched Roof

VERTICAL CUT



POS.	ELEMENT	SCALE: M 1:2.5
1	Parapet cap	
2	Fixing screw	
3	Self adhesive sealing tape PE	
4	Parapet cap support profile	
5	Blind rivet	
6	Fixing screw	

PARAPET

Trimo Group holds full copyrights on the information and details provided on this media, therefore any unauthorized reproduction and distribution is strictly prohibited.



VERTICAL INSTALLATION

TRIMOTERM FTV

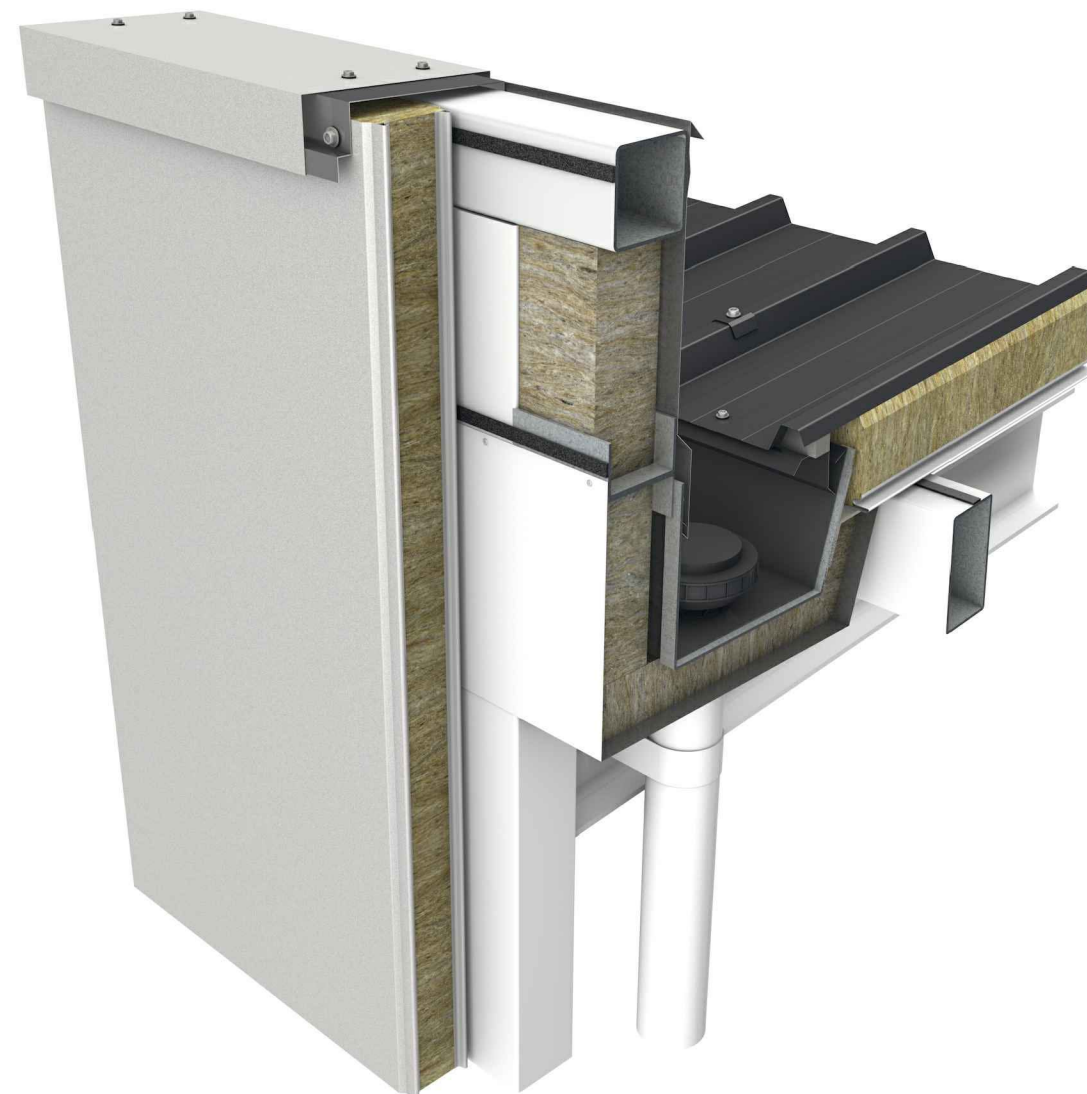
FUNCTION

- FIRE - fire-resistant system
- FOOGIENE - food & hygiene system
- BASE - backing-wall system

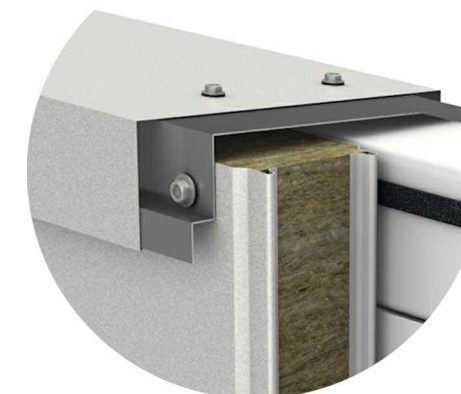
APPLICATION

- External Facade
- Internal Wall
- Flat Roof
- + External Soffit
- + Internal Ceiling
- Pitched Roof

DETAIL VIEW



CLOSE VIEW



ADVANTAGES

- Fire safety
- Tolerances flexibility
- Prefabrication
- Simplicity
- BIM support

PARAPET

Trimo Group holds full copyrights on the information and details provided on this media, therefore any unauthorized reproduction and distribution is strictly prohibited.



VERTICAL INSTALLATION

FUNCTION

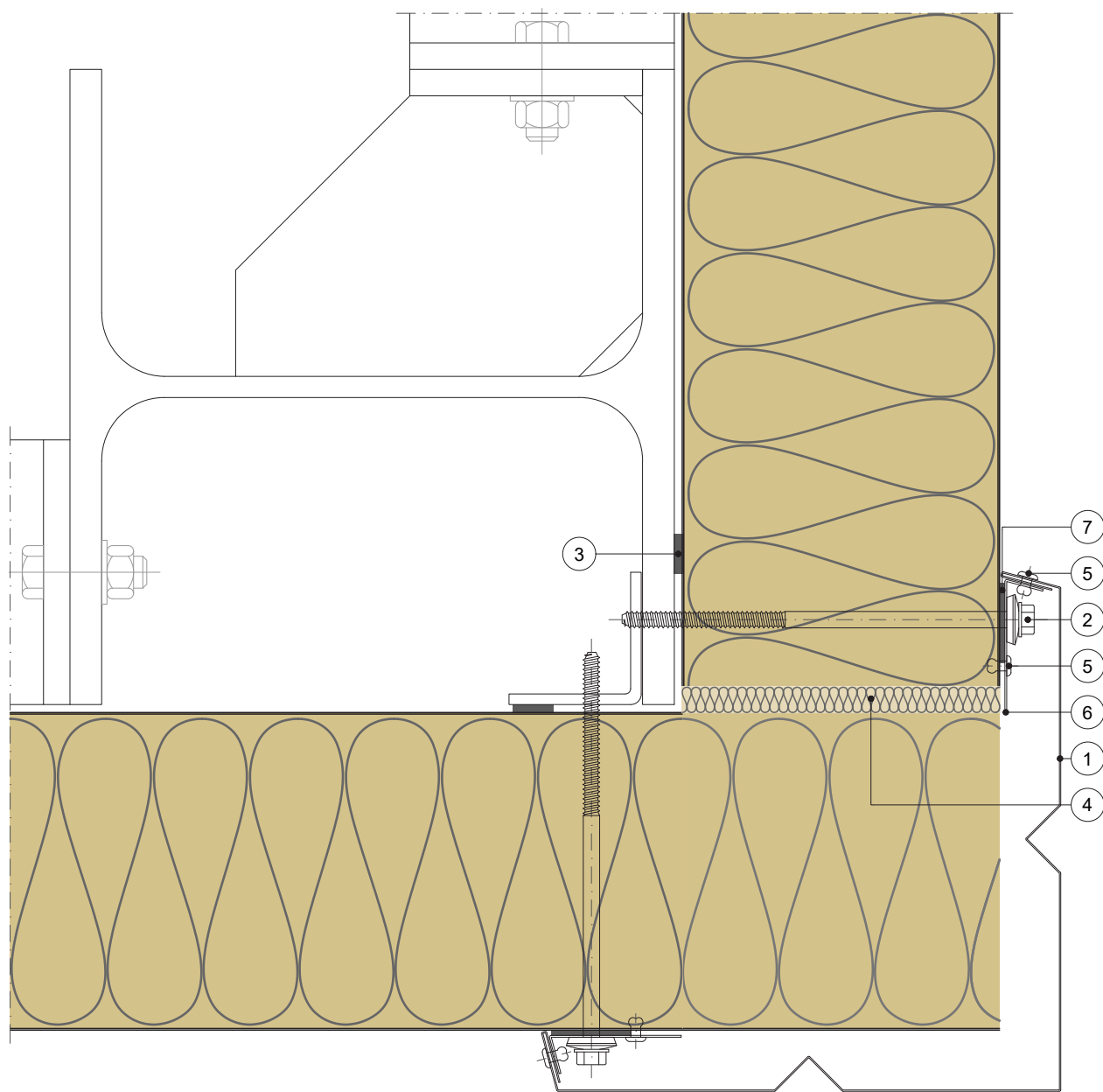
- FIRE - fire-resistant system
- FOOGIENE - food & hygiene system
- BASE - backing-wall system

APPLICATION

- External Facade
- Internal Wall
- Flat Roof
- External Soffit
- Internal Ceiling
- Pitched Roof

TRIMOTERM FTV

HORIZONTAL CUT



POS.	ELEMENT	SCALE: M 1:2.5
1	Corner flashing	
2	Fixing screw	
3	Self adhesive sealing tape PE	
4	Thermal insulation	
5	Blind rivet	
6	Flashing support	
7	Self adhesive sealing tape EPDM	

EXTERNAL CORNER

Trimo Group holds full copyrights on the information and details provided on this media, therefore any unauthorized reproduction and distribution is strictly prohibited.



VERTICAL INSTALLATION

FUNCTION

- FIRE - fire-resistant system
- FOOGIENE - food & hygiene system
- BASE - backing-wall system

APPLICATION

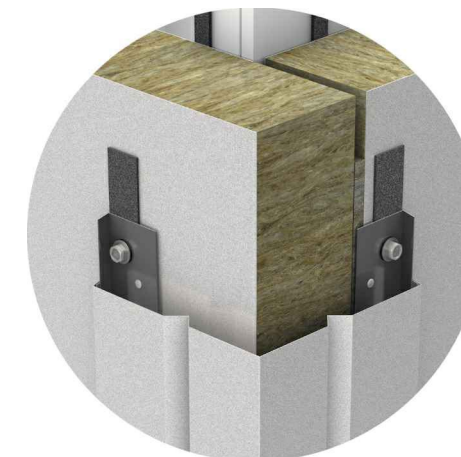
- External Facade
- Internal Wall
- Flat Roof
- External Soffit
- Internal Ceiling
- Pitched Roof

TRIMOTERM FTV

DETAIL VIEW



CLOSE VIEW



ADVANTAGES

- Fire safety
- Tolerances flexibility
- Prefabrication
- Simplicity
- BIM support

EXTERNAL CORNER

Trimo Group holds full copyrights on the information and details provided on this media, therefore any unauthorized reproduction and distribution is strictly prohibited.



VERTICAL INSTALLATION

TRIMOTERM FTV

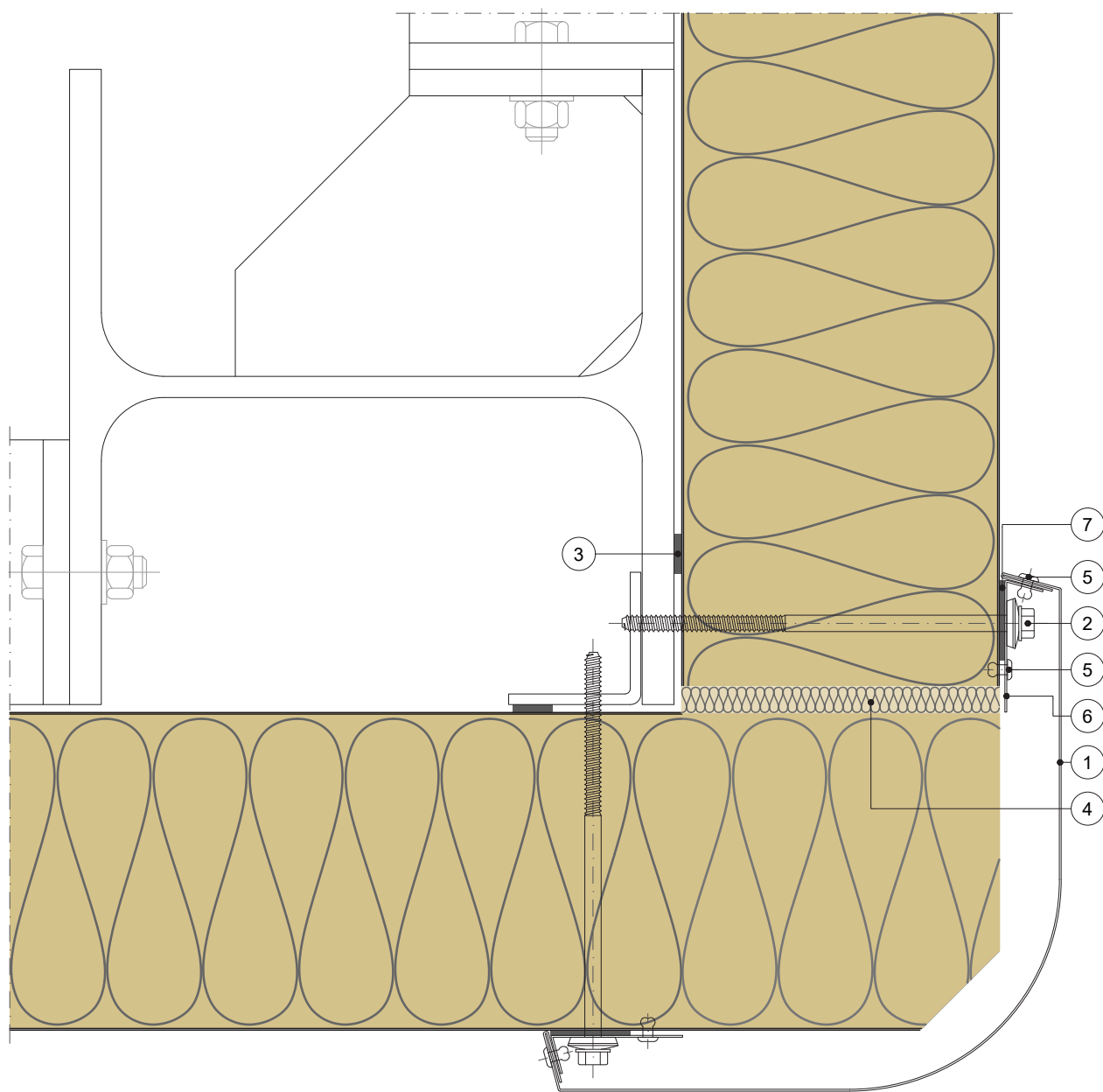
FUNCTION

- FIRE - fire-resistant system
- FOOGIENE - food & hygiene system
- BASE - backing-wall system

APPLICATION

- External Facade
- Internal Wall
- Flat Roof
- External Soffit
- Internal Ceiling
- Pitched Roof

HORIZONTAL CUT



POS.	ELEMENT	SCALE: M 1:2.5
1	Corner flashing	
2	Fixing screw	
3	Self adhesive sealing tape PE	
4	Thermal insulation	
5	Blind rivet	
6	Flashing support	
7	Self adhesive sealing tape EPDM	

EXTERNAL CORNER

Trimo Group holds full copyrights on the information and details provided on this media, therefore any unauthorized reproduction and distribution is strictly prohibited.



VERTICAL INSTALLATION

TRIMOTERM FTV

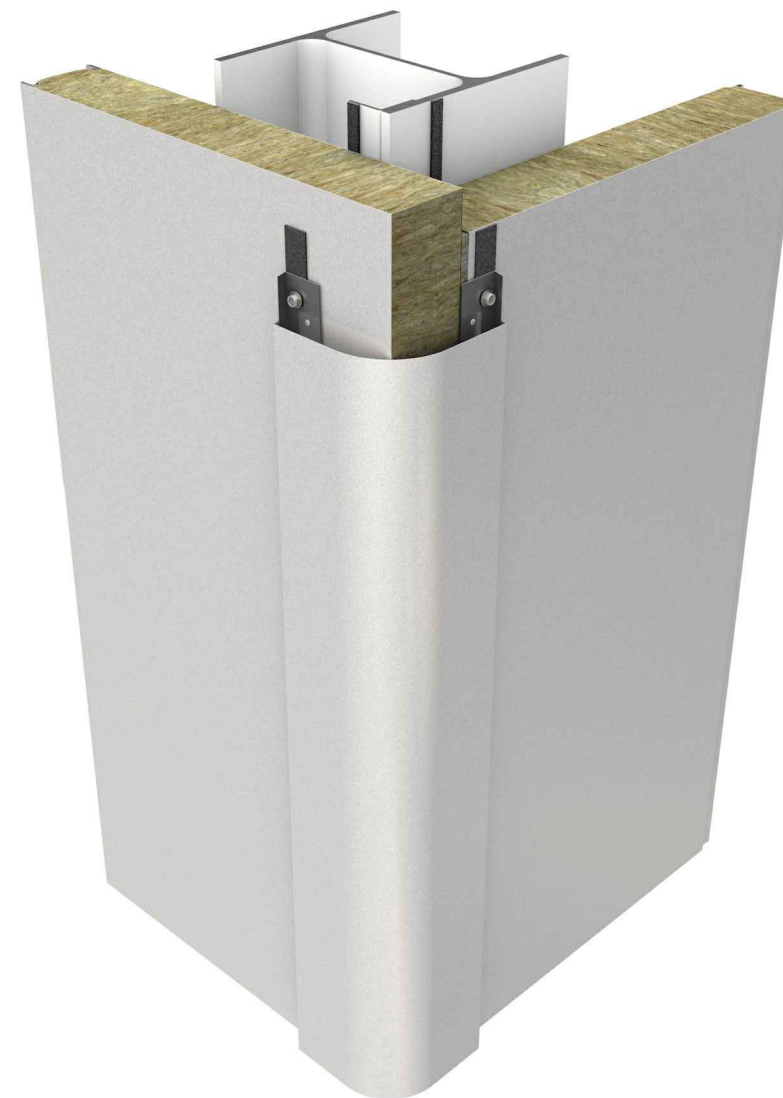
FUNCTION

- FIRE - fire-resistant system
- FOOGIENE - food & hygiene system
- BASE - backing-wall system

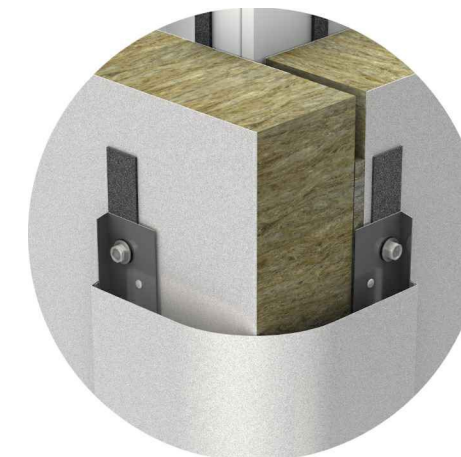
APPLICATION

- External Facade
- Internal Wall
- Flat Roof
- External Soffit
- Internal Ceiling
- Pitched Roof

DETAIL VIEW



CLOSE VIEW



ADVANTAGES

- Fire safety
- Tolerances flexibility
- Prefabrication
- Simplicity
- BIM support

EXTERNAL CORNER

Trimo Group holds full copyrights on the information and details provided on this media, therefore any unauthorized reproduction and distribution is strictly prohibited.



VERTICAL INSTALLATION

FUNCTION

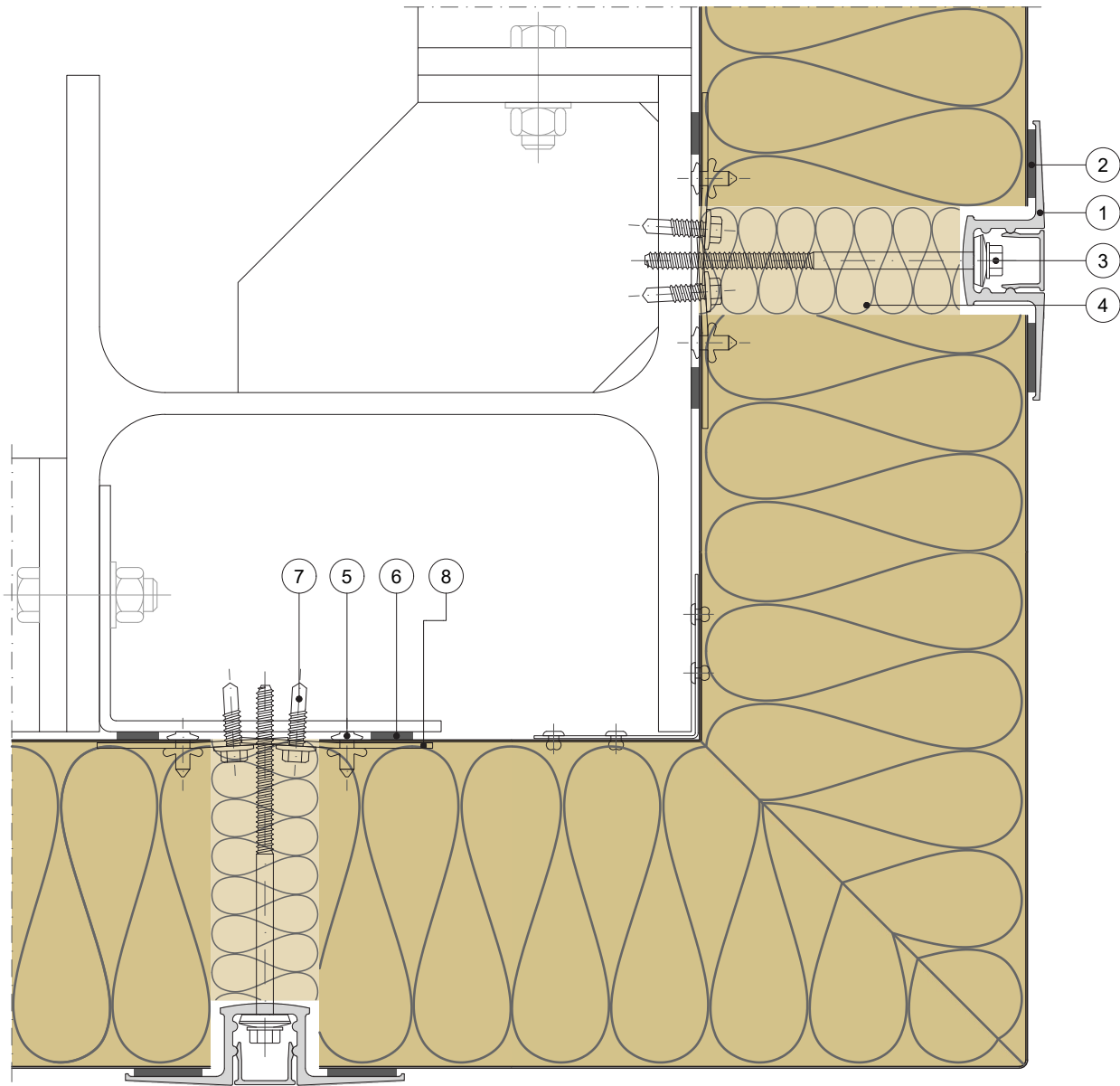
- FIRE - fire-resistant system
- FOOGIENE - food & hygiene system
- BASE - backing-wall system

APPLICATION

- External Facade
- Internal Wall
- Flat Roof
- External Soffit
- Internal Ceiling
- Pitched Roof

TRIMOTERM FTV

HORIZONTAL CUT



POS.	ELEMENT	SCALE: M 1:2.5
1	HF102 aluminium fixing profile	
2	Self adhesive sealing tape EPDM	
3	Fixing screw	
4	Thermal insulation	
5	Bulb tite rivet	
6	Self adhesive sealing tape PE	
7	Fixing screw	
8	Fixing element	

EXTERNAL CORNER

Trimo Group holds full copyrights on the information and details provided on this media, therefore any unauthorized reproduction and distribution is strictly prohibited.



VERTICAL INSTALLATION

FUNCTION

- FIRE - fire-resistant system
- FOOGIENE - food & hygiene system
- BASE - backing-wall system

APPLICATION

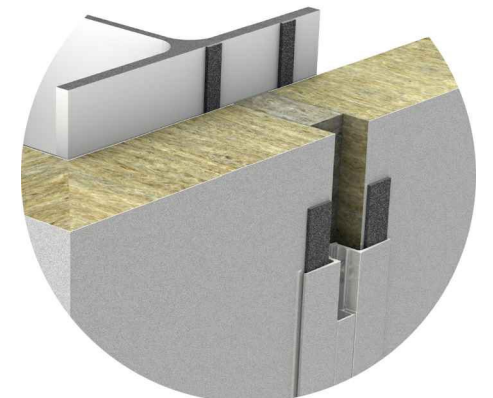
- External Facade
- Internal Wall
- Flat Roof
- External Soffit
- Internal Ceiling
- Pitched Roof

TRIMOTERM FTV

DETAIL VIEW



CLOSE VIEW



ADVANTAGES

- Fast installation
- Tolerances flexibility
- Prefabrication
- Simplicity
- Flush design
- BIM support

EXTERNAL CORNER

Trimo Group holds full copyrights on the information and details provided on this media, therefore any unauthorized reproduction and distribution is strictly prohibited.



VERTICAL INSTALLATION

FUNCTION

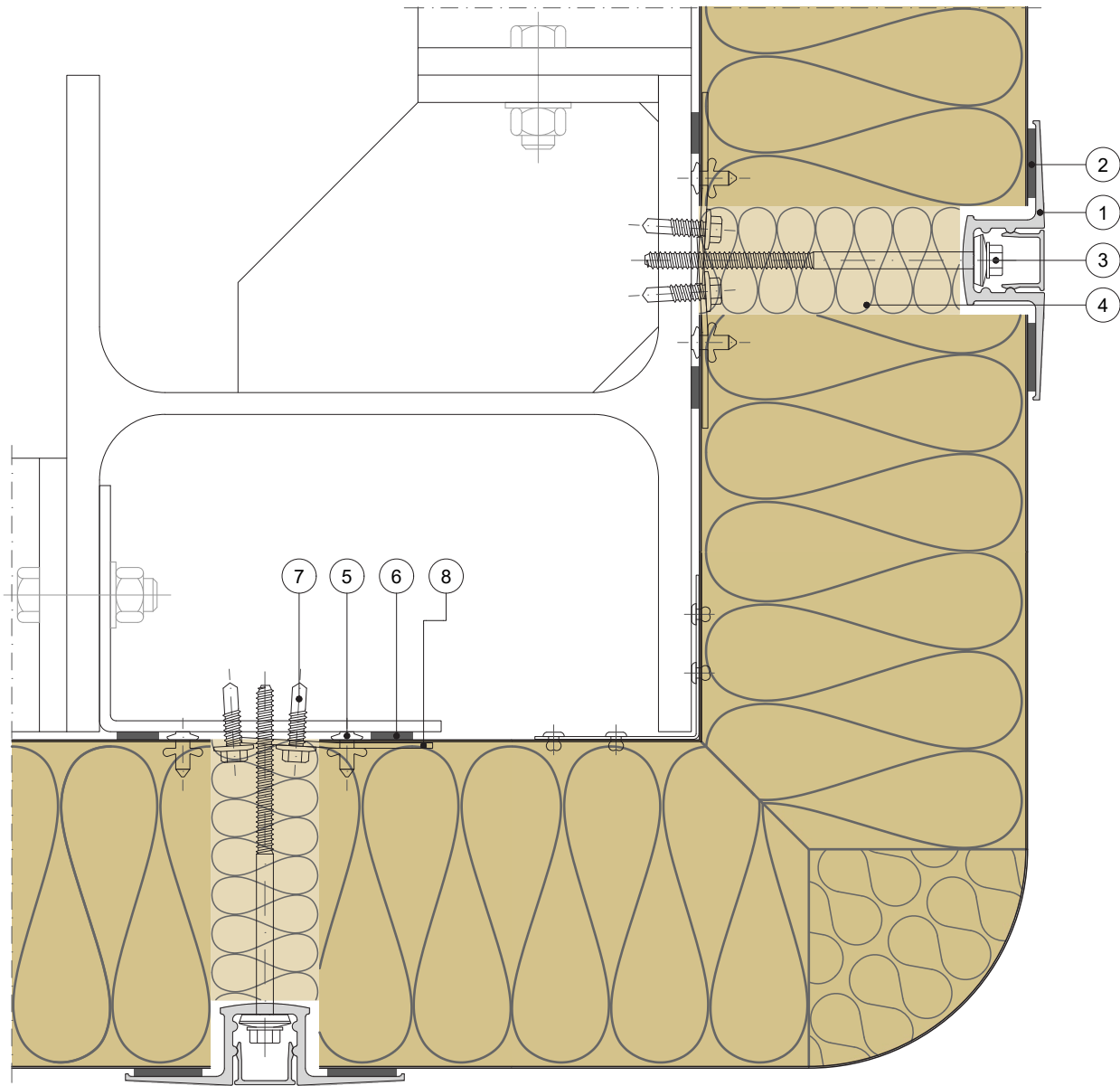
- FIRE - fire-resistant system
- FOOGIENE - food & hygiene system
- BASE - backing-wall system

APPLICATION

- External Facade
- Internal Wall
- Flat Roof
- + External Soffit
- + Internal Ceiling
- Pitched Roof

TRIMOTERM FTV

HORIZONTAL CUT



NOTE

- Rounded corner can be produced only when the outside steel sheet profile is microlined.

POS.	ELEMENT	SCALE: M 1:2.5
1	HF102 aluminium fixing profile	
2	Self adhesive sealing tape EPDM	
3	Fixing screw	
4	Thermal insulation	
5	Bulb tite rivet	
6	Self adhesive sealing tape PE	
7	Fixing screw	
8	Fixing element	

EXTERNAL CORNER

Trimo Group holds full copyrights on the information and details provided on this media, therefore any unauthorized reproduction and distribution is strictly prohibited.



VERTICAL INSTALLATION

FUNCTION

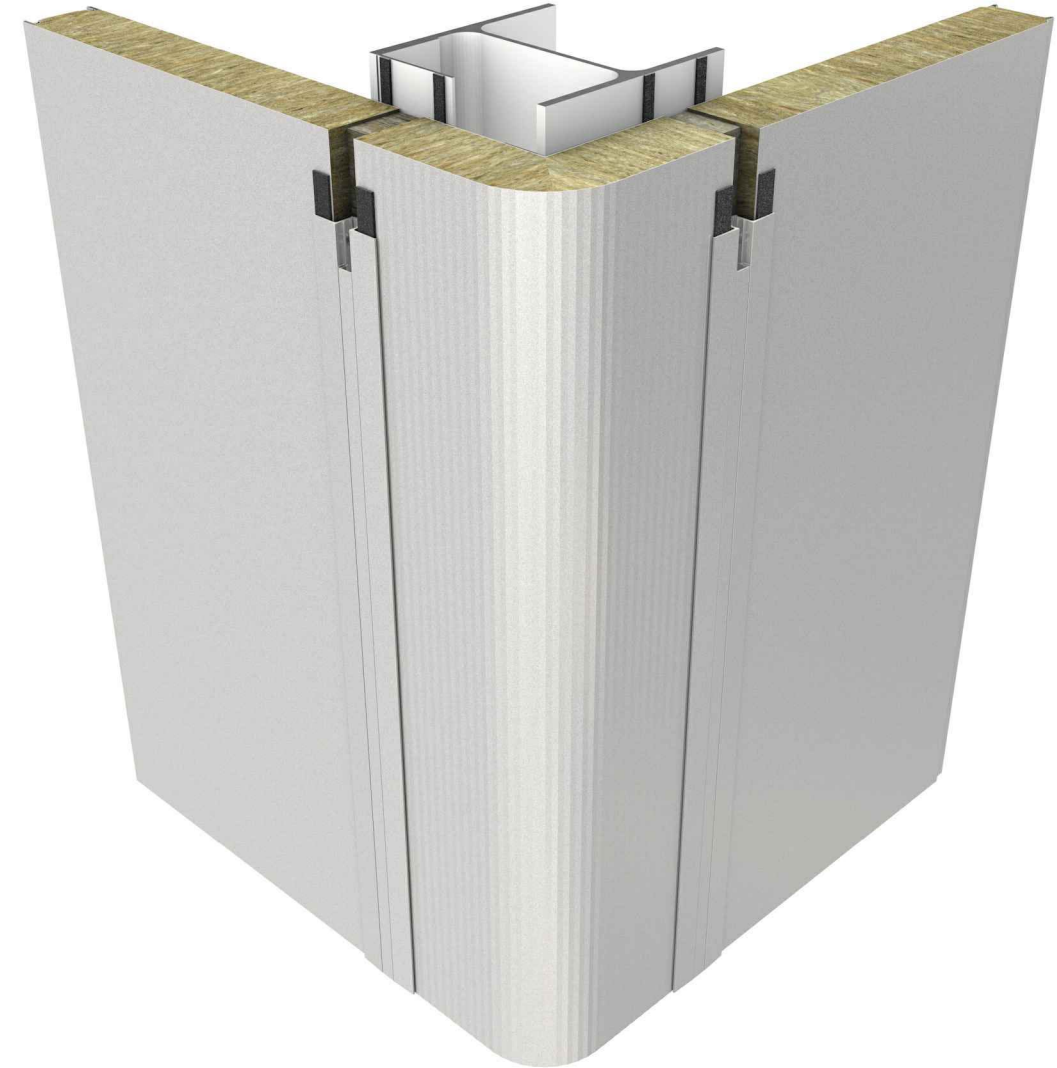
- FIRE - fire-resistant system
- FOOGIENE - food & hygiene system
- BASE - backing-wall system

APPLICATION

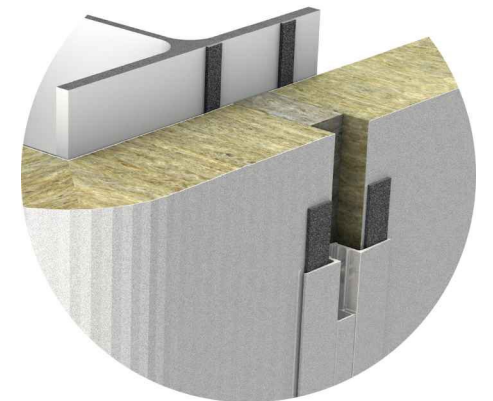
- External Facade
- Internal Wall
- Flat Roof
- + External Soffit
- + Internal Ceiling
- Pitched Roof

TRIMOTERM FTV

DETAIL VIEW



CLOSE VIEW



ADVANTAGES

- Fast installation
- Tolerances flexibility
- Prefabrication
- Simplicity
- Flush design
- BIM support

EXTERNAL CORNER

Trimo Group holds full copyrights on the information and details provided on this media, therefore any unauthorized reproduction and distribution is strictly prohibited.



VERTICAL INSTALLATION

FUNCTION

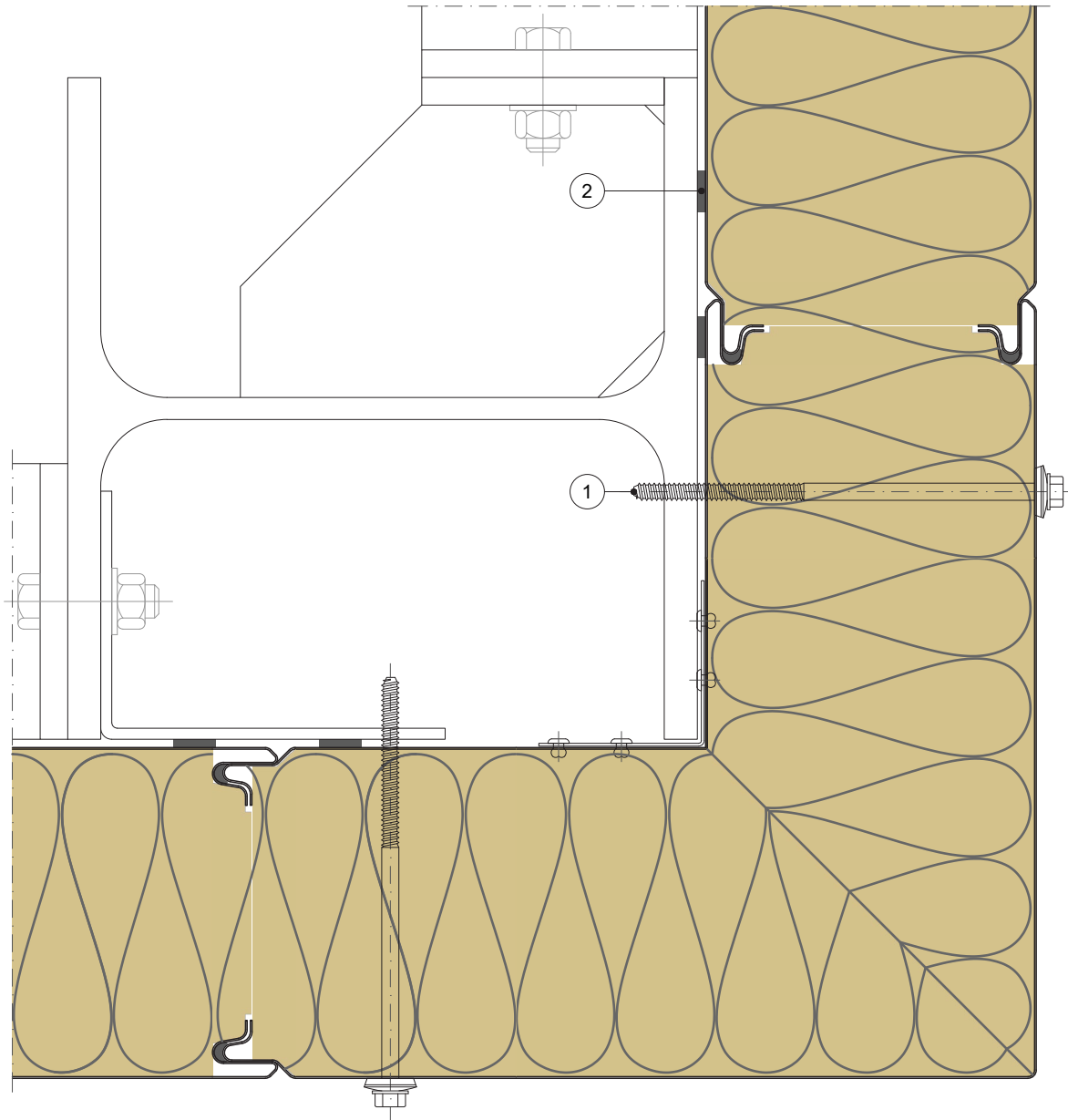
- FIRE - fire-resistant system
- FOOGIENE - food & hygiene system
- BASE - backing-wall system

APPLICATION

- External Facade
- Internal Wall
- Flat Roof
- + External Soffit
- + Internal Ceiling
- Pitched Roof

TRIMOTERM FTV

HORIZONTAL CUT



NOTE

- External corner detail demands envelope ending with a cut element.
- It is available up to 150mm thickness and 6m length.
- Adjustable substructure is required for optimal installation.

POS.	ELEMENT	SCALE: M 1:2.5
1	Fixing screw	
2	Self adhesive sealing tape PE	

EXTERNAL CORNER

Trimo Group holds full copyrights on the information and details provided on this media, therefore any unauthorized reproduction and distribution is strictly prohibited.



VERTICAL INSTALLATION

FUNCTION

- FIRE - fire-resistant system
- FOOGIENE - food & hygiene system
- BASE - backing-wall system

APPLICATION

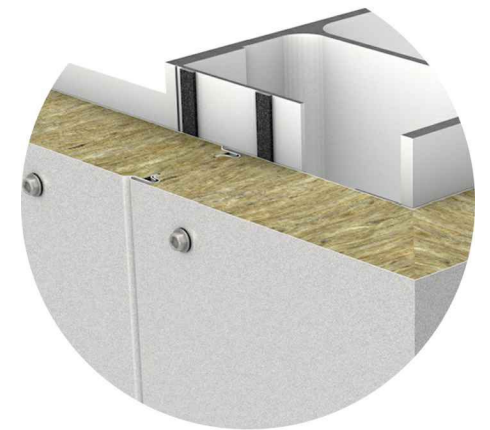
- External Facade
- Internal Wall
- Flat Roof
- + External Soffit
- + Internal Ceiling
- Pitched Roof

TRIMOTERM FTV

DETAIL VIEW



CLOSE VIEW



ADVANTAGES

- Fire safety
- Fast installation
- Prefabrication
- Simplicity
- BIM support

EXTERNAL CORNER

Trimo Group holds full copyrights on the information and details provided on this media, therefore any unauthorized reproduction and distribution is strictly prohibited.



VERTICAL INSTALLATION

FUNCTION

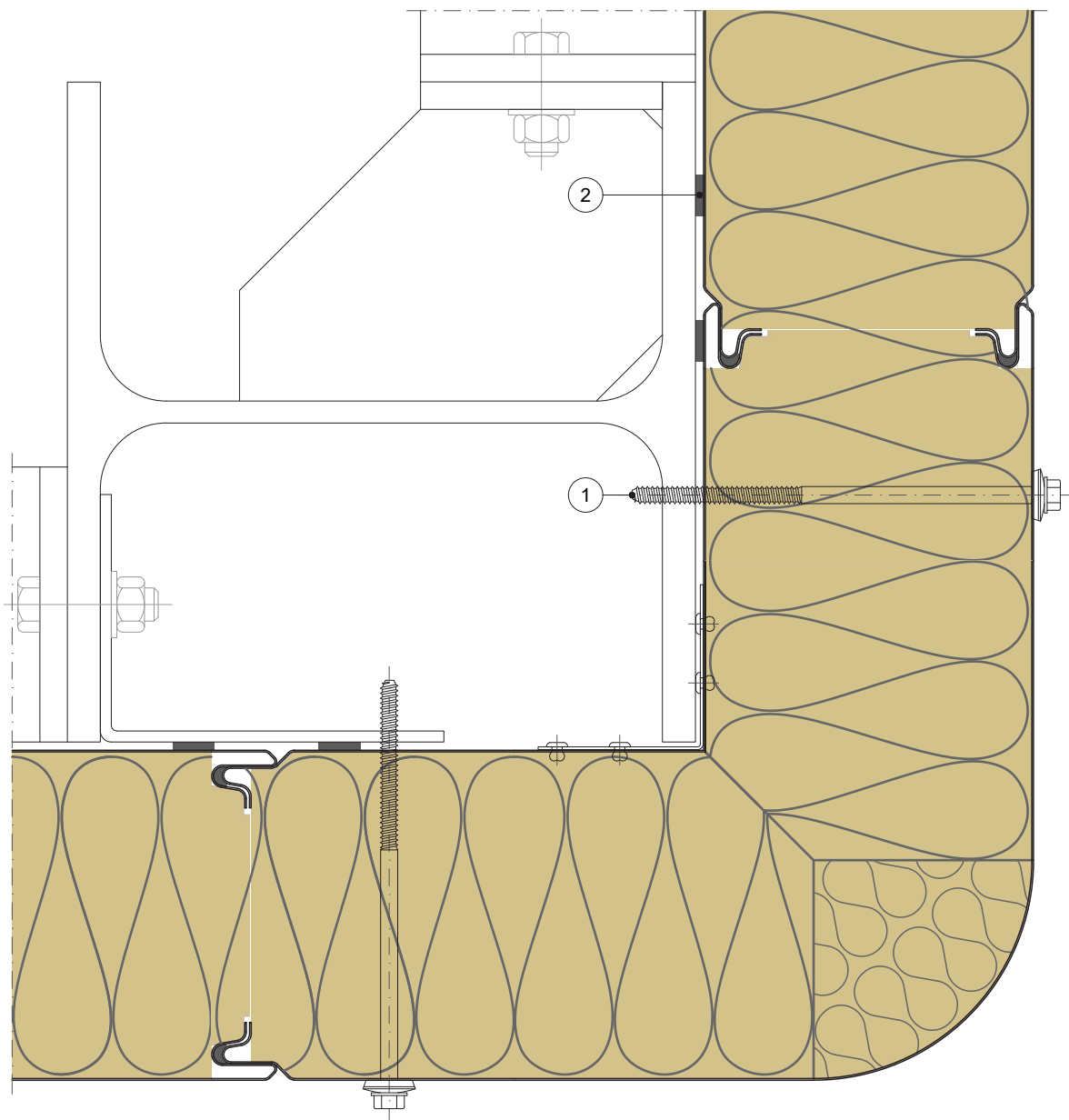
- FIRE - fire-resistant system
- FOOGIENE - food & hygiene system
- BASE - backing-wall system

APPLICATION

- External Facade
- Internal Wall
- Flat Roof
- External Soffit
- Internal Ceiling
- Pitched Roof

TRIMOTERM FTV

HORIZONTAL CUT



NOTE

- Rounded corner can be produced only when the outside steel sheet profile is microlined.
- External corner detail demands envelope ending with a cut element.
- It is available up to 150mm thickness and 6m length.
- Adjustable substructure is required for optimal installation.

POS.	ELEMENT	SCALE: M 1:2.5
1	Fixing screw	
2	Self adhesive sealing tape PE	

EXTERNAL CORNER

Trimo Group holds full copyrights on the information and details provided on this media, therefore any unauthorized reproduction and distribution is strictly prohibited.



VERTICAL INSTALLATION

FUNCTION

- FIRE - fire-resistant system
- FOOGIENE - food & hygiene system
- BASE - backing-wall system

APPLICATION

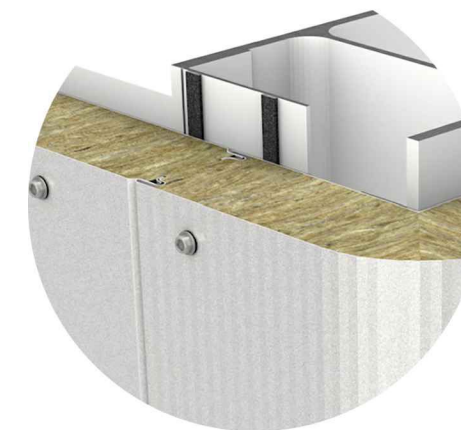
- External Facade
- Internal Wall
- Flat Roof
- External Soffit
- Internal Ceiling
- Pitched Roof

TRIMOTERM FTV

DETAIL VIEW



CLOSE VIEW



ADVANTAGES

- Fire safety
- Fast installation
- Prefabrication
- Simplicity
- BIM support

EXTERNAL CORNER

Trimo Group holds full copyrights on the information and details provided on this media, therefore any unauthorized reproduction and distribution is strictly prohibited.



VERTICAL INSTALLATION

TRIMOTERM FTV

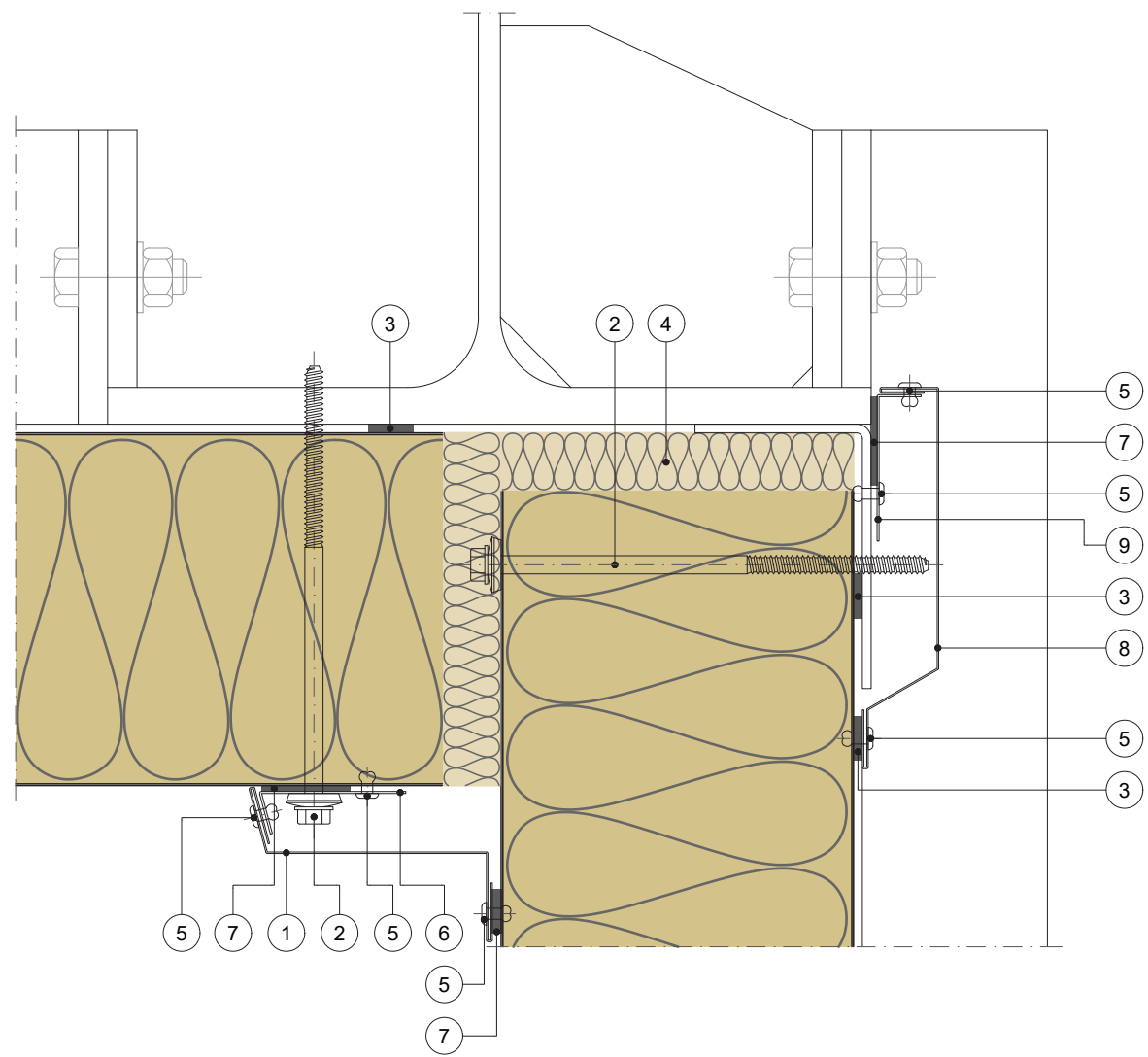
FUNCTION

- FIRE - fire-resistant system
- FOOGIENE - food & hygiene system
- BASE - backing-wall system

APPLICATION

- External Facade
- Internal Wall
- Flat Roof
- External Soffit
- Internal Ceiling
- Pitched Roof

HORIZONTAL CUT



POS.	ELEMENT	SCALE: M 1:2.5
1	Corner flashing	
2	Fixing screw	
3	Self adhesive sealing tape PE	
4	Thermal insulation	
5	Blind rivet	
6	Flashing support	
7	Self adhesive sealing tape EPDM	
8	Internal flashing	
9	Internal flashing support	

INTERNAL CORNER

Trimo Group holds full copyrights on the information and details provided on this media, therefore any unauthorized reproduction and distribution is strictly prohibited.



VERTICAL INSTALLATION

TRIMOTERM FTV

FUNCTION

- FIRE - fire-resistant system
- FOOGIENE - food & hygiene system
- BASE - backing-wall system

APPLICATION

- External Facade
- Internal Wall
- Flat Roof
- External Soffit
- Internal Ceiling
- Pitched Roof

DETAIL VIEW



CLOSE VIEW



ADVANTAGES

- Fire safety
- Span distance
- Tolerances flexibility
- Prefabrication
- Simplicity
- BIM support

INTERNAL CORNER

Trimo Group holds full copyrights on the information and details provided on this media, therefore any unauthorized reproduction and distribution is strictly prohibited.



VERTICAL INSTALLATION

FUNCTION

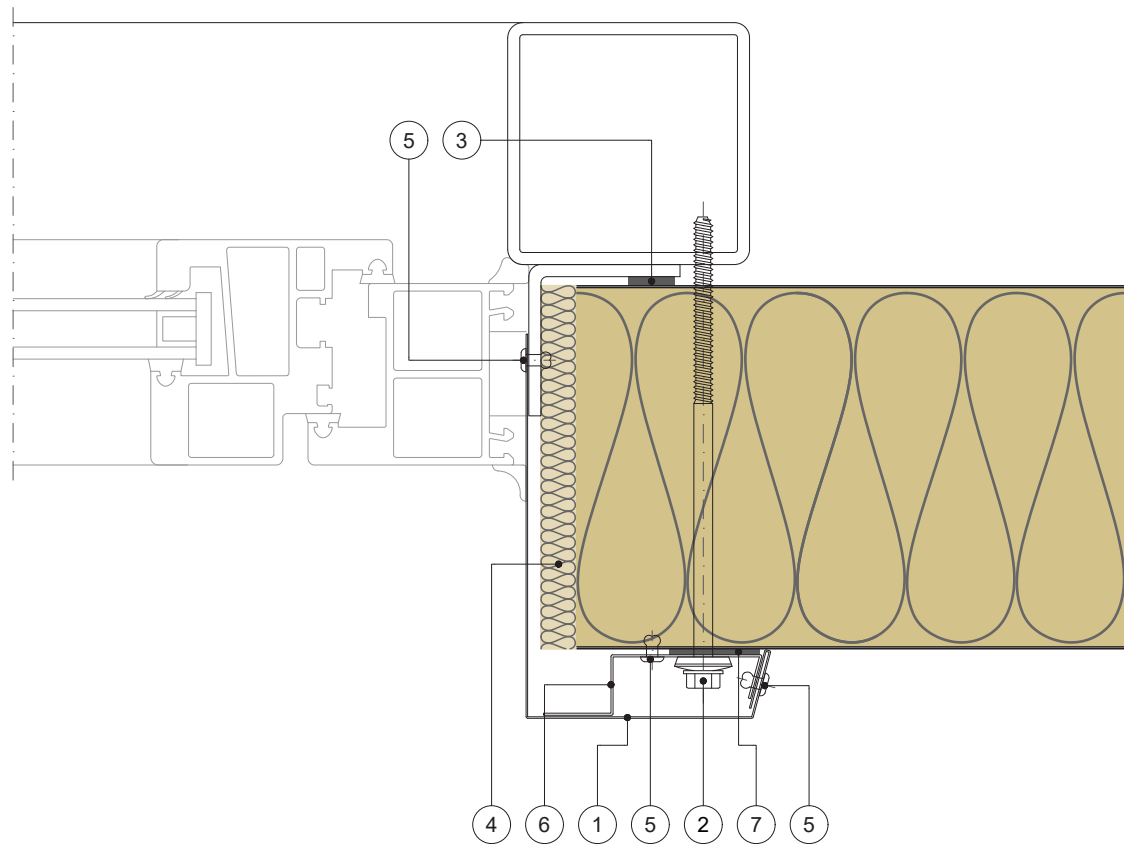
- FIRE - fire-resistant system
- FOOGIENE - food & hygiene system
- BASE - backing-wall system

APPLICATION

- External Facade
- Internal Wall
- Flat Roof
- External Soffit
- Internal Ceiling
- Pitched Roof

TRIMOTERM FTV

HORIZONTAL CUT



POS.	ELEMENT	SCALE: M 1:2.5
1	Jamb flashing	
2	Fixing screw	
3	Self adhesive sealing tape PE	
4	Thermal insulation	
5	Blind rivet	
6	Flashing support	
7	Self adhesive sealing tape EPDM	

WINDOW

Trimo Group holds full copyrights on the information and details provided on this media, therefore any unauthorized reproduction and distribution is strictly prohibited.



VERTICAL INSTALLATION

FUNCTION

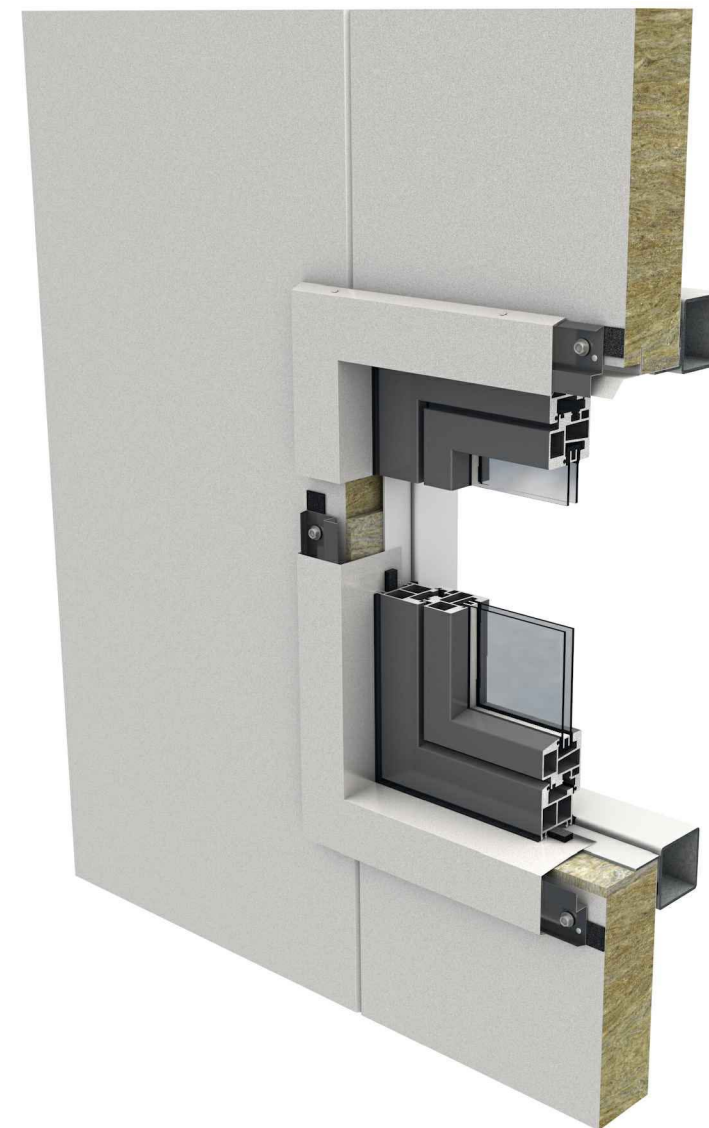
- FIRE - fire-resistant system
- FOOGIENE - food & hygiene system
- BASE - backing-wall system

APPLICATION

- External Facade
- Internal Wall
- Flat Roof
- External Soffit
- Internal Ceiling
- Pitched Roof

TRIMOTERM FTV

DETAIL VIEW



CLOSE VIEW



ADVANTAGES

- Fire safety
- Tolerances flexibility
- Prefabrication
- Simplicity
- BIM support

WINDOW

Trimo Group holds full copyrights on the information and details provided on this media, therefore any unauthorized reproduction and distribution is strictly prohibited.



VERTICAL INSTALLATION

FUNCTION

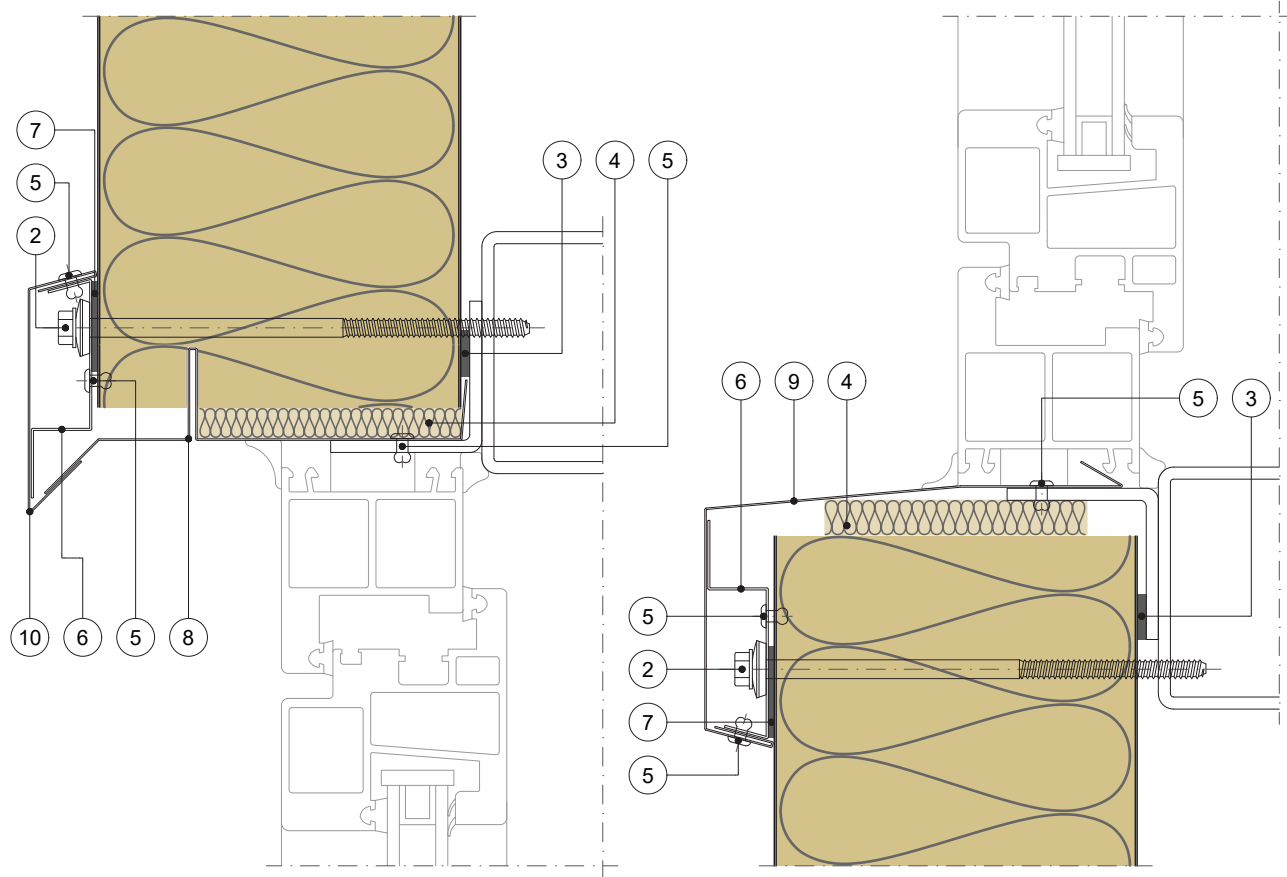
- FIRE - fire-resistant system
- FOOGIENE - food & hygiene system
- BASE - backing-wall system

APPLICATION

- External Facade
- Internal Wall
- Flat Roof
- External Soffit
- Internal Ceiling
- Pitched Roof

TRIMOTERM FTV

VERTICAL CUT



POS.	ELEMENT	SCALE: M 1:2.5
2	Fixing screw	
3	Self adhesive sealing tape PE	
4	Thermal insulation	
5	Blind rivet	
6	Flashing support	
7	Self adhesive sealing tape EPDM	
8	Window head drip flashing	
9	Window sill drip flashing	
10	Drip flashing mask	

WINDOW

Trimo Group holds full copyrights on the information and details provided on this media, therefore any unauthorized reproduction and distribution is strictly prohibited.



VERTICAL INSTALLATION

FUNCTION

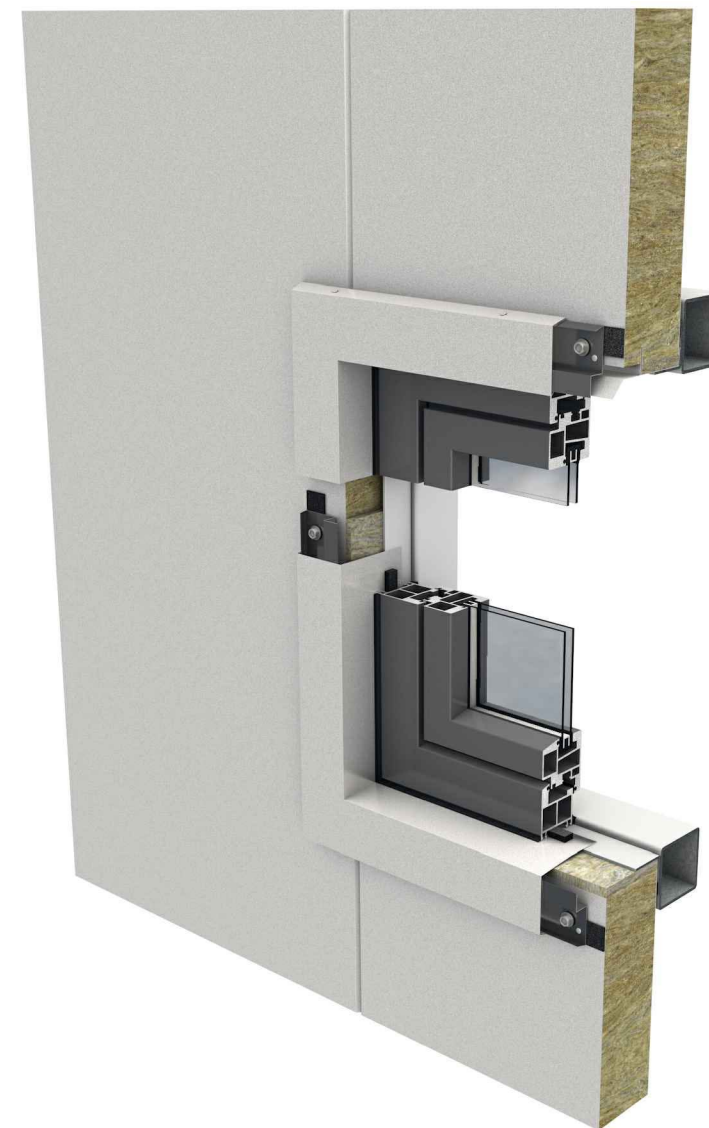
- FIRE - fire-resistant system
- FOOGIENE - food & hygiene system
- BASE - backing-wall system

APPLICATION

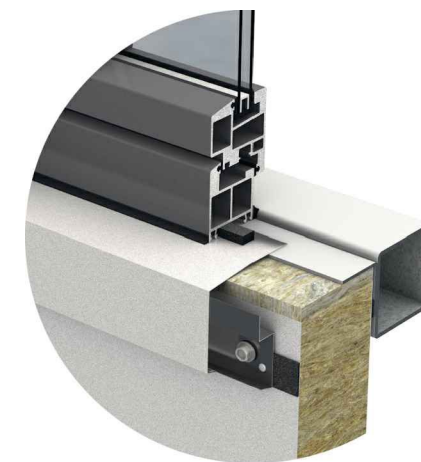
- External Facade
- Internal Wall
- Flat Roof
- External Soffit
- Internal Ceiling
- Pitched Roof

TRIMOTERM FTV

DETAIL VIEW



CLOSE VIEW



ADVANTAGES

- Fire safety
- Tolerances flexibility
- Prefabrication
- Simplicity
- BIM support

WINDOW

Trimo Group holds full copyrights on the information and details provided on this media, therefore any unauthorized reproduction and distribution is strictly prohibited.



VERTICAL INSTALLATION

FUNCTION

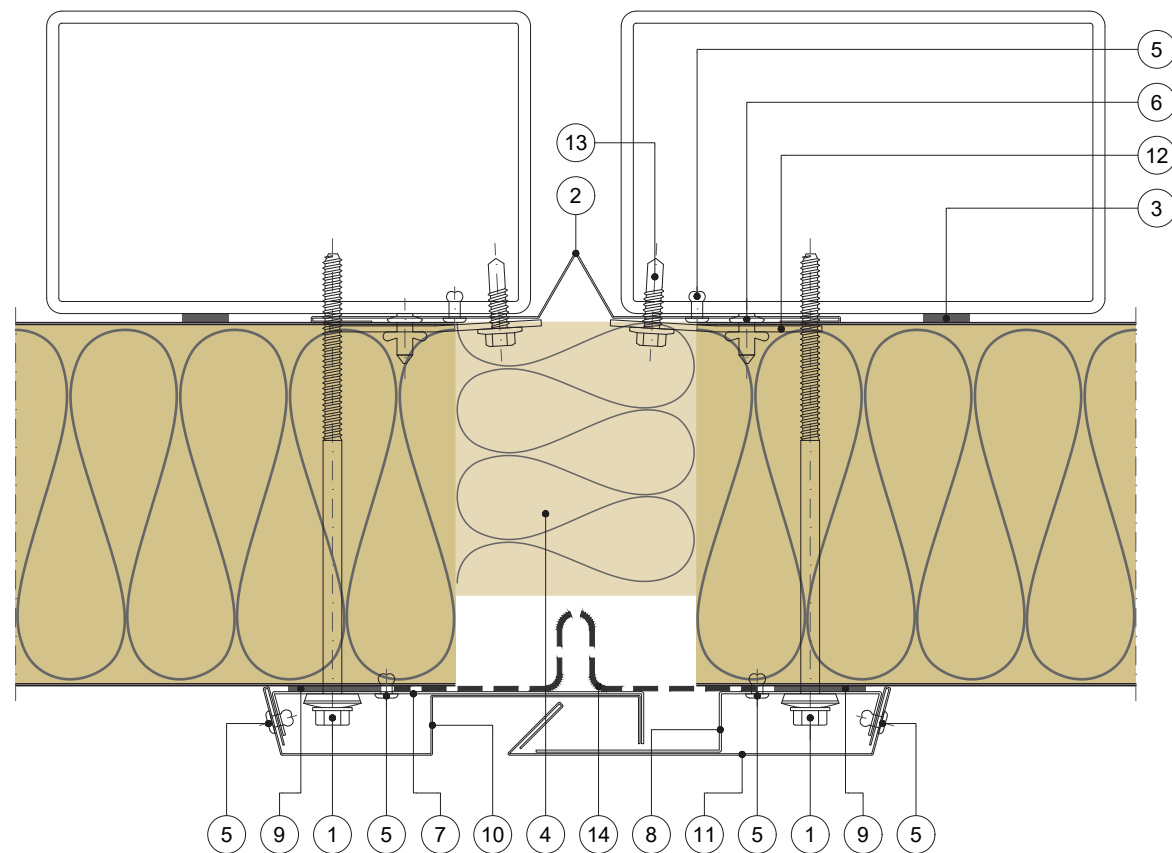
- FIRE - fire-resistant system
- FOOGIENE - food & hygiene system
- BASE - backing-wall system

APPLICATION

- External Facade
- Internal Wall
- Flat Roof
- External Soffit
- Internal Ceiling
- Pitched Roof

TRIMOTERM FTV

HORIZONTAL CUT



POS.	ELEMENT	SCALE: M 1:2.5
1	Fixing screw	
2	Dilatation flashing - internal	
3	Self adhesive sealing tape PE	
4	Thermal insulation	
5	Blind rivet	
6	Bulb tite rivet	
7	Flashing support A	
8	Flashing support B	
9	Self adhesive sealing tape EPDM	
10	Dilatation flashing - external A	
11	Dilatation flashing - external B	
12	Fixing element	
13	Fixing screw	
14	Butyl tape on the aluminium foil	

DILATATION

Trimo Group holds full copyrights on the information and details provided on this media, therefore any unauthorized reproduction and distribution is strictly prohibited.



VERTICAL INSTALLATION

FUNCTION

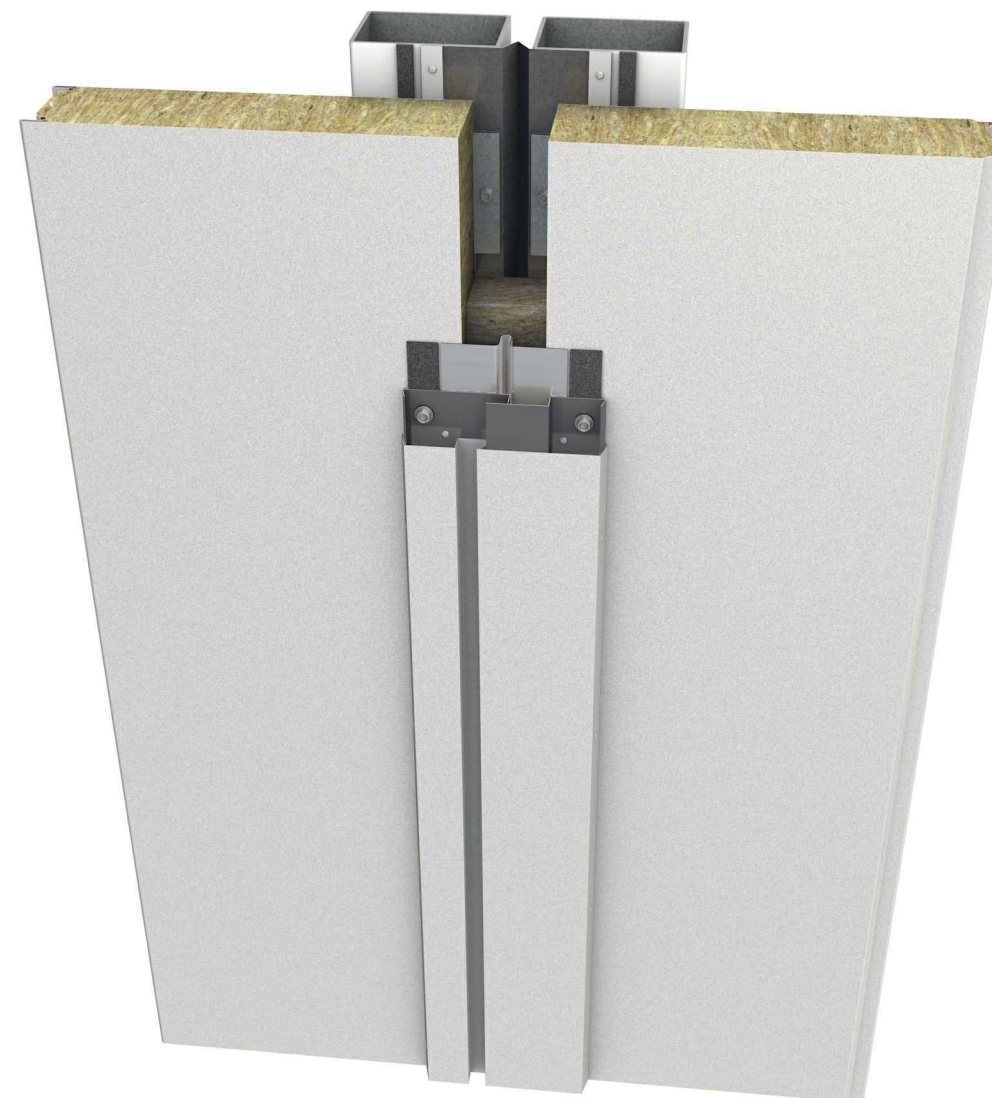
- FIRE - fire-resistant system
- FOOGIENE - food & hygiene system
- BASE - backing-wall system

APPLICATION

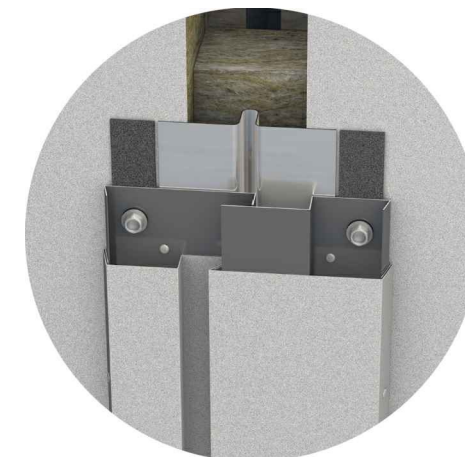
- External Facade
- Internal Wall
- Flat Roof
- External Soffit
- Internal Ceiling
- Pitched Roof

TRIMOTERM FTV

DETAIL VIEW



CLOSE VIEW



ADVANTAGES

- Span distance
- Tolerances flexibility
- Prefabrication
- Simplicity
- BIM support

DILATATION

Trimo Group holds full copyrights on the information and details provided on this media, therefore any unauthorized reproduction and distribution is strictly prohibited.



VERTICAL INSTALLATION

TRIMOTERM FTV

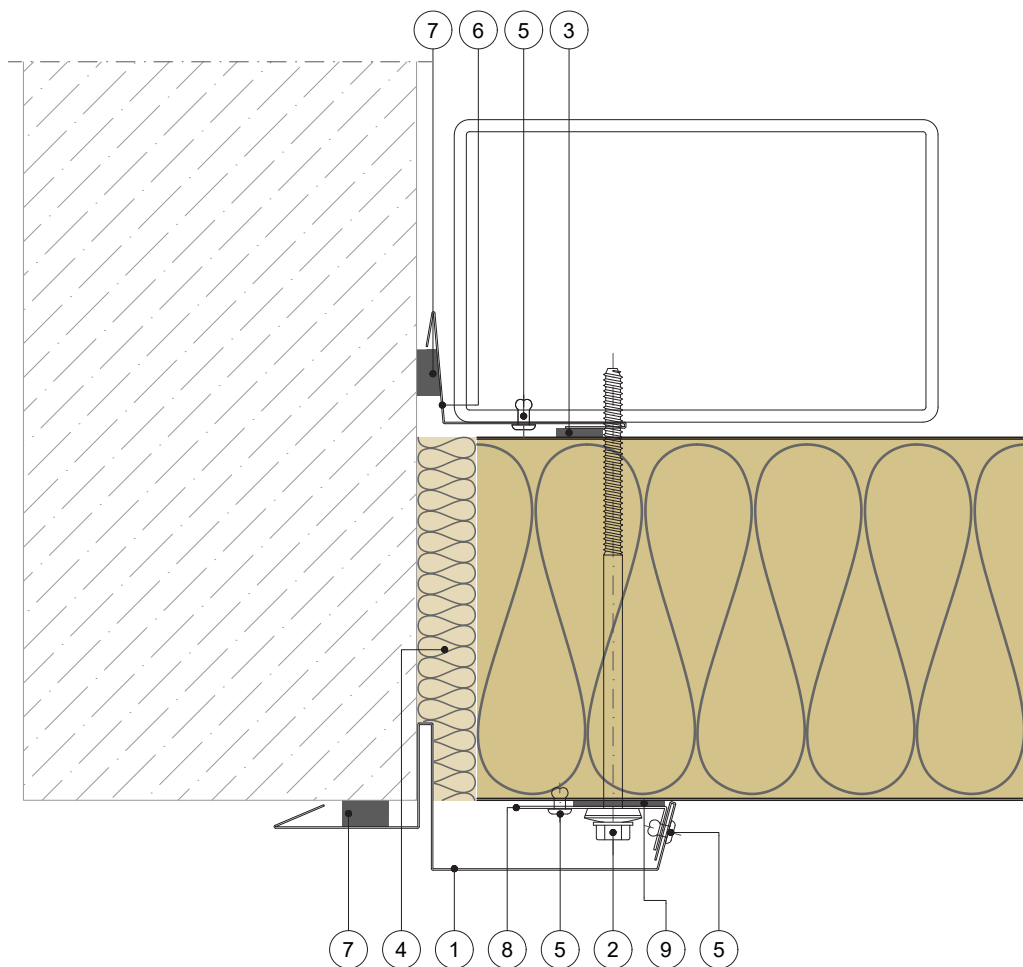
FUNCTION

- FIRE - fire-resistant system
- FOOGIENE - food & hygiene system
- BASE - backing-wall system

APPLICATION

- External Facade
- Internal Wall
- Flat Roof
- + External Soffit
- + Internal Ceiling
- Pitched Roof

HORIZONTAL CUT



POS.	ELEMENT	SCALE: M 1:2.5
1	Joint flashing	
2	Fixing screw	
3	Self adhesive sealing tape PE	
4	Thermal insulation	
5	Blind rivet	
6	Internal flashing	
7	Self adhesive pre compressed sealing tape	
8	Flashing support	
9	Self adhesive sealing tape EPDM	

OTHER SYSTEM CONNECTION

Trimo Group holds full copyrights on the information and details provided on this media, therefore any unauthorized reproduction and distribution is strictly prohibited.



VERTICAL INSTALLATION

TRIMOTERM FTV

FUNCTION

- FIRE - fire-resistant system
- FOOGIENE - food & hygiene system
- BASE - backing-wall system

APPLICATION

- External Facade
- Internal Wall
- Flat Roof
- + External Soffit
- + Internal Ceiling
- Pitched Roof

DETAIL VIEW



CLOSE VIEW



ADVANTAGES

- Fire safety
- Span distance
- Tolerances flexibility
- Prefabrication
- BIM support

OTHER SYSTEM CONNECTION

Trimo Group holds full copyrights on the information and details provided on this media, therefore any unauthorized reproduction and distribution is strictly prohibited.